

OSPF DESIGN GUIDE

Cisco Systems
Network Supported Accounts
Rev: 1.0 April, 1996

Sam Halabi
Network Consulting Engineer

The Open Shortest Path First Protocol (OSPF), defined in RFC 1583, is an Interior Gateway Protocol used to distribute routing information within a single Autonomous System. This paper examines how OSPF works and how it can be used to design and build today's large and complicated networks.

1.0	Introduction.....	4
1.1	OSPF vs. RIP	4
1.2	What do we mean by Link-States?	5
1.3	Link-State Algorithm	6
2.0	Shortest Path Algorithm.....	6
2.1	OSPF cost	6
2.2	Shortest Path Tree	7
3.0	Areas and Border Routers.....	8
4.0	Link-State Packets	8
5.0	Enabling OSPF on the router	10
6.0	OSPF Authentication	11
6.1	Simple password authentication	11
6.2	Message Digest authentication	11
7.0	The Backbone and area 0.....	12
8.0	Virtual links.....	13
8.1	Areas not physically connected to area 0.....	14
8.2	Partitioning the backbone	15
9.0	Neighbors	15
10.0	Adjacencies	16
10.1	DR Election.....	17
10.2	Building the Adjacency.....	17
10.3	Adjacencies on point-to-point interfaces	21
10.4	Adjacencies on Non-Broadcast Multi-Access (NBMA).....	21
11.0	Avoiding DRs and “neighbor” command on NBMA	22
11.1	Point-to-point subinterfaces	23
11.2	Selecting Interface Network Types	24
11.2.1	Point-to-multipoint interfaces.....	24
11.2.2	Broadcast interfaces.....	27
12.0	OSPF and Route Summarization	28
12.1	Inter-area route summarization	28
12.2	External route summarization	29
13.0	Stub Areas.....	30
14.0	Redistributing routes into OSPF	34
14.1	E1 vs. E2 external routes	34
15.0	Redistributing OSPF into other protocols.....	38
15.1	Use of a valid metric	38
15.2	VLSM	38
15.3	Mutual Redistribution	40
16.0	Injecting defaults into OSPF.....	43
17.0	OSPF Design Tips.....	45

17.1	Number of routers per area	46
17.2	Number of neighbors	46
17.3	Number of areas per ABR.....	46
17.4	Full mesh vs. Partial Mesh.....	47
17.5	Memory issues	47
18.0	Summary	48
19.0	APPENDIX A: Link-State Database Synchronization.....	49
19.1	Link-State Advertisements.....	51
19.2	OSPF database example.....	54
19.2.1	General view of the database.....	57
19.2.2	Router Links	58
19.2.3	Network Links	59
19.2.4	Summary Links	60
19.2.5	Summary ASBR Links	60
19.2.6	External Links	61
19.2.7	The Full Database.....	63
20.0	APPENDIX B: OSPF and IP Multicast Addressing.....	68
21.0	APPENDIX C: Variable Length Subnet Masks (VLSM).....	69

1.0 Introduction

OSPF (Open Shortest Path First) protocol was developed due to a need in the internet community to introduce a high functionality non-proprietary Internal Gateway Protocol (IGP) for the TCP/IP protocol family. The discussion of creating a common interoperable IGP for the Internet started in 1988 and did not get formalized until 1991. At that time the OSPF Working Group requested that OSPF be considered for advancement to Draft Internet Standard.

The OSPF protocol is based on link-state technology which is a departure from the Bellman-Ford vector based algorithms used in traditional Internet routing protocols such as RIP. OSPF has introduced new concepts such as authentication of routing updates, Variable Length Subnet Masks (VLSM), route summarization, etc.

In the following chapters we will discuss the OSPF terminology, algorithm and the pros and cons of the protocol in designing the large and complicated networks of today.

1.1 OSPF vs. RIP

The rapid growth and expansion of today's networks has pushed RIP to its limits. RIP has certain limitations that could cause problems in large networks:

- RIP has a limit of 15 hops. A RIP network that spans more than 15 hops (15 routers) is considered unreachable.
- RIP cannot handle Variable Length Subnet Masks (VLSM). Given the shortage of IP addresses and the flexibility VLSM gives in the efficient assignment of IP addresses, this is considered a major flaw.
- Periodic broadcasts of the full routing table will consume a large amount of bandwidth. This is a major problem with large networks especially on slow links and WAN clouds.
- RIP converges slower than OSPF. In large networks convergence gets to be in the order of minutes. RIP routers will go through a period of a hold-down and garbage collection and will slowly time-out information that has not been received recently. This is inappropriate in large environments and could cause routing inconsistencies.
- RIP has no concept of network delays and link costs. Routing decisions are based on hop counts. The path with the lowest hop count to the destination is always preferred even if the longer path has a better aggregate link bandwidth and slower delays.
- RIP networks are flat networks. There is no concept of areas or boundaries. With the introduction of classless routing and the intelligent use of aggregation and summarization, RIP networks seem to have fallen behind.

Some enhancements were introduced in a new version of RIP called RIP2. RIP2 addresses the issues of VLSM, authentication, and multicast routing updates. RIP2 is not a big improvement over RIP (now called RIP 1)

because it still has the limitations of hop counts and slow convergence which are essential in today's large networks.

OSPF, on the other hand, addresses most of the issues presented above:

- With OSPF, there is no limitation on the hop count.
- The intelligent use of VLSM is very useful in IP address allocation.
- OSPF uses IP multicast to send link-state updates. This ensures less processing on routers that are not listening to OSPF packets. Also, updates are only sent in case routing changes occur instead of periodically. This ensures a better use of bandwidth.
- OSPF has better convergence than RIP. This is because routing changes are propagated instantaneously and not periodically.
- OSPF allows for better load balancing based on the actual cost of the link. Link delays are a major factor in deciding where to send routing updates.
- OSPF allows for a logical definition of networks where routers can be divided into areas. This will limit the explosion of link state updates over the whole network. This also provides a mechanism for aggregating routes and cutting down on the unnecessary propagation of subnet information.
- OSPF allows for routing authentication by using different methods of password authentication.
- OSPF allows for the transfer and tagging of external routes injected into an Autonomous System. This keeps track of external routes injected by exterior protocols such as BGP.

This of course would lead to more complexity in configuring and troubleshooting OSPF networks. Administrators that are used to the simplicity of RIP will be challenged with the amount of new information they have to learn in order to keep up with OSPF networks. Also, this will introduce more overhead in memory allocation and CPU utilization. Some of the routers running RIP might have to be upgraded in order to handle the overhead caused by OSPF.

1.2 What do we mean by Link-States?

OSPF is a link-state protocol. We could think of a link as being an interface on the router. The state of the link is a description of that interface and of its relationship to its neighboring routers. A description of the interface would include, for example, the IP address of the interface, the mask, the type of network it is connected to, the routers connected to that network and so on. The collection of all these link-states would form a link-state database.

1.3 Link-State Algorithm

OSPF uses a link-state algorithm in order to build and calculate the shortest path to all known destinations. The algorithm by itself is quite complicated. The following is a very high level, simplified way of looking at the various steps of the algorithm:

- 1- Upon initialization or due to any change in routing information, a router will generate a link-state advertisement. This advertisement will represent the collection of all link-states on that router.
- 2- All routers will exchange link-states by means of flooding. Each router that receives a link-state update should store a copy in its link-state database and then propagate the update to other routers.
- 3- After the database of each router is completed, the router will calculate a Shortest Path Tree to all destinations. The router uses the Dijkstra algorithm to calculate the shortest path tree. The destinations, the associated cost and the next hop to reach those destinations will form the IP routing table.
- 4- In case no changes in the OSPF network occur, such as cost of a link or a network being added or deleted, OSPF should be very quiet. Any changes that occur are communicated via link-state packets, and the Dijkstra algorithm is recalculated to find the shortest path.

2.0 Shortest Path Algorithm

The shortest path is calculated using the Dijkstra algorithm. The algorithm places each router at the root of a tree and calculates the shortest path to each destination based on the cumulative cost required to reach that destination. Each router will have its own view of the topology even though all the routers will build a shortest path tree using the same link-state database. The following sections indicate what is involved in building a shortest path tree.

2.1 OSPF cost

The cost (also called metric) of an interface in OSPF is an indication of the overhead required to send packets across a certain interface. The cost of an interface is inversely proportional to the bandwidth of that interface. A higher bandwidth indicates a lower cost. There is more overhead (higher cost) and time delays involved in crossing a 56k serial line than crossing a 10M ethernet line. The formula used to calculate the cost is:

cost = $100000000 / \text{bandwidth in bps}$

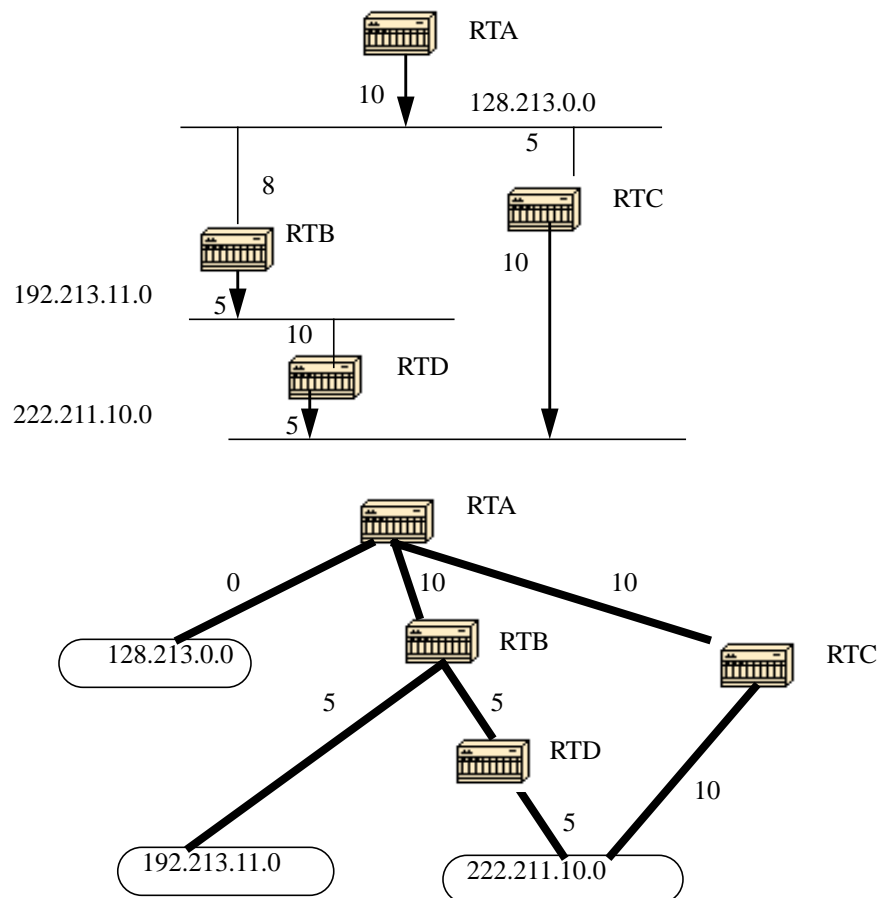
For example, it will cost $10^8 / 10^7 = 10$ to cross a 10M ethernet line and will cost $10^8 / 1544000 = 64$ to cross a T1 line.

By default, the cost of an interface is calculated based on the bandwidth; you can force the cost of an interface by using the interface sub-command:

```
ip ospf cost <value>
```

2.2 Shortest Path Tree

Assume we have the following network diagram with the indicated interface costs. In order to build the shortest path tree for RTA, we would have to make RTA the root of the tree and calculate the smallest cost for each destination.

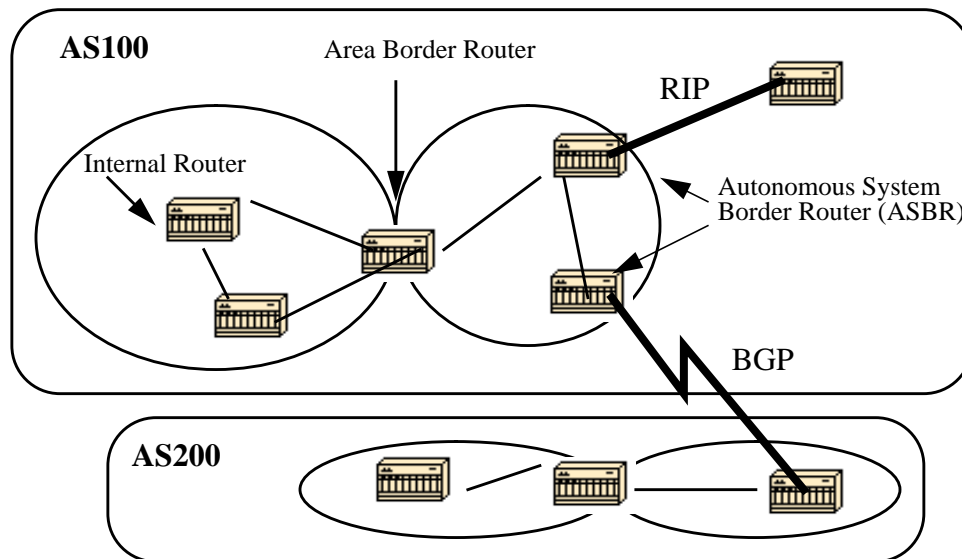


The above is the view of the network as seen from RTA. Note the direction of the arrows in calculating the cost. For example, the cost of RTB's interface to network 128.213.0.0 is not relevant when calculating the cost to 192.213.11.0. RTA can reach 192.213.11.0 via RTB with a cost of 15 (10+5). RTA can also reach 222.211.10.0 via RTC with a cost of 20 (10+10) or via RTB with a cost of 20 (10+5+5). In case equal cost paths exist to the same destination, Cisco's implementation of OSPF will keep track of up to six next hops to the same destination.

After the router builds the shortest path tree, it will start building the routing table accordingly. Directly connected networks will be reached via a metric (cost) of 0 and other networks will be reached according to the cost calculated in the tree.

3.0 Areas and Border Routers

As previously mentioned, OSPF uses flooding to exchange link-state updates between routers. Any change in routing information is flooded to all routers in the network. Areas are introduced to put a boundary on the explosion of link-state updates. Flooding and calculation of the Dijkstra algorithm on a router is limited to changes within an area. All routers within an area have the exact link-state database. Routers that belong to multiple areas, called area border routers (ABR), have the duty of disseminating routing information or routing changes between areas.



An area is interface specific. A router that has all of its interfaces within the same area is called an internal router (IR). A router that has interfaces in multiple areas is called an area border router (ABR). Routers that act as gateways (redistribution) between OSPF and other routing protocols (IGRP, EIGRP, IS-IS, RIP, BGP, Static) or other instances of the OSPF routing process are called autonomous system border routers (ASBR). Any router can be an ABR or an ASBR.

4.0 Link-State Packets

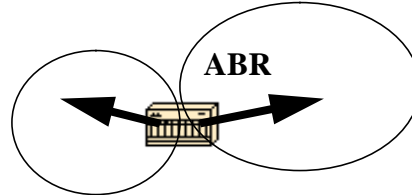
There are different types of Link State Packets, those are what you normally see in an OSPF database (Appendix A). The different types are illustrated in the following diagram:

Router Links



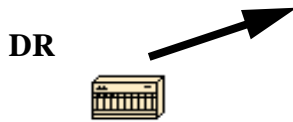
Describe the state and cost of the router's links (interfaces) to the area (Intra-area).

Summary Links



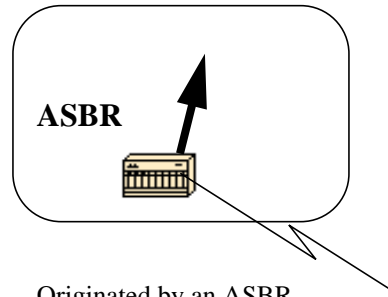
Originated by ABRs only. Describe networks in the AS but outside of an Area (Inter-area). Also describe the location of the ASBR.

Network Links



Originated for multi-access segments with more than one attached router. Describe all routers attached to the specific segment. Originated by a Designated Router (discussed later on).

External Links



Originated by an ASBR. Describe destinations external the autonomous system or a default route to the outside AS.

As indicated above, the router links are an indication of the state of the interfaces on a router belonging to a certain area. Each router will generate a router link for all of its interfaces. Summary links are generated by ABRs; this is how network reachability information is disseminated between areas. Normally, all information is injected into the backbone (area 0) and in turn the backbone will pass it on to other areas. ABRs also have the task of propagating the reachability of the ASBR. This is how routers know how to get to external routes in other ASs.

Network Links are generated by a Designated Router (DR) on a segment (DRs will be discussed later). This information is an indication of all routers connected to a particular multi-access segment such as Ethernet, Token Ring and FDDI (NBMA also).

External Links are an indication of networks outside of the AS. These networks are injected into OSPF via redistribution. The ASBR has the task of injecting these routes into an autonomous system.

5.0 Enabling OSPF on the router

Enabling OSPF on the router involves the following two steps in config mode:

1- Enabling an OSPF process:

```
router ospf <process-id>
```

2- Assigning areas to the interfaces:

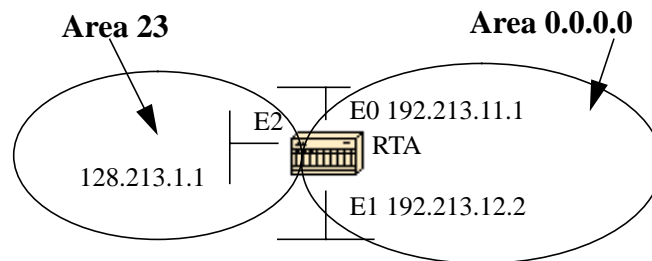
```
network <network or IP address> <mask> <area-id>
```

The OSPF process-id is a numeric value local to the router. It does not have to match process-ids on other routers. It is possible to run multiple OSPF processes on the same router, but is not recommended as it creates multiple database instances that add extra overhead to the router.

The network command is a way of assigning an interface to a certain area. The mask is used as a shortcut and it helps putting a list of interfaces in the same area with one line configuration line. The mask contains wild card bits where 0 is a match and 1 is a "do not care" bit, e.g. 0.0.255.255 indicates a match in the first two bytes of the network number.

The area-id is the area number we want the interface to be in. The area-id can be an integer between 0 and 4294967295 or can take a form similar to an IP address A.B.C.D.

example:



```
RTA#  
interface Ethernet0  
ip address 192.213.11.1 255.255.255.0  
  
interface Ethernet1  
ip address 192.213.12.2 255.255.255.0  
  
interface Ethernet2  
ip address 128.213.1.1 255.255.255.0  
  
router ospf 100  
network 192.213.0.0 0.0.255.255 area 0.0.0.0  
network 128.213.1.1 0.0.0.0 area 23
```

The first network statement will put both E0 and E1 in the same area 0.0.0.0 and the second network statement will put E2 in area 23. Note the mask of 0.0.0.0 which indicates a full match on the IP address. This is an easy way to put an interface in a certain area if you are having problems figuring out a mask.

6.0 OSPF Authentication

It is possible to authenticate the OSPF packets such that routers can participate in routing domains based on predefined passwords. By default, a router uses a Null authentication which means that routing exchanges over a network are not authenticated. Two other authentication methods exist: Simple password authentication and Message Digest authentication (md5).

6.1 Simple password authentication

Simple password authentication allows a password (key) to be configured per area. Routers in the same area that want to participate in the routing domain will have to be configured with the same key. The drawback of this method is that it is vulnerable to passive attacks. Anybody with a link analyzer could easily get the password off the wire. To enable password authentication use the following commands:

```
ip ospf authentication-key key (this goes under the specific interface)
```

```
area area-id authentication (this goes under "router ospf <process-id>")
```

example:

```
interface Ethernet0
ip address 10.10.10.10 255.255.255.0
ip ospf authentication-key mypassword
```

```
router ospf 10
network 10.10.0.0 0.0.255.255 area 0
area 0 authentication
```

6.2 Message Digest authentication

Message Digest Authentication is a cryptographic authentication. A key (password) and key-id are configured on each router. The router uses an algorithm based on the OSPF packet, the key, and the key-id to generate a "message digest" that gets appended to the packet. Unlike the simple authentication, the key is not exchanged over the wire. A non-decreasing sequence number is also included in each OSPF packet to protect against replay attacks.

This method also allows for uninterrupted transitions between keys. This is helpful for administrators who wish to change the OSPF password without disrupting communication. If an interface is configured with a new key, the router will send multiple copies of the same packet, each authenticated by different keys. The router will stop sending duplicate packets once it detects that all of its neighbors have adopted the new key. Following are the commands used for message digest authentication:

```
ip ospf message-digest-key keyid md5 key (used under the interface)
```

```
area area-id authentication message-digest (used under "router ospf <process-id>")
```

example:

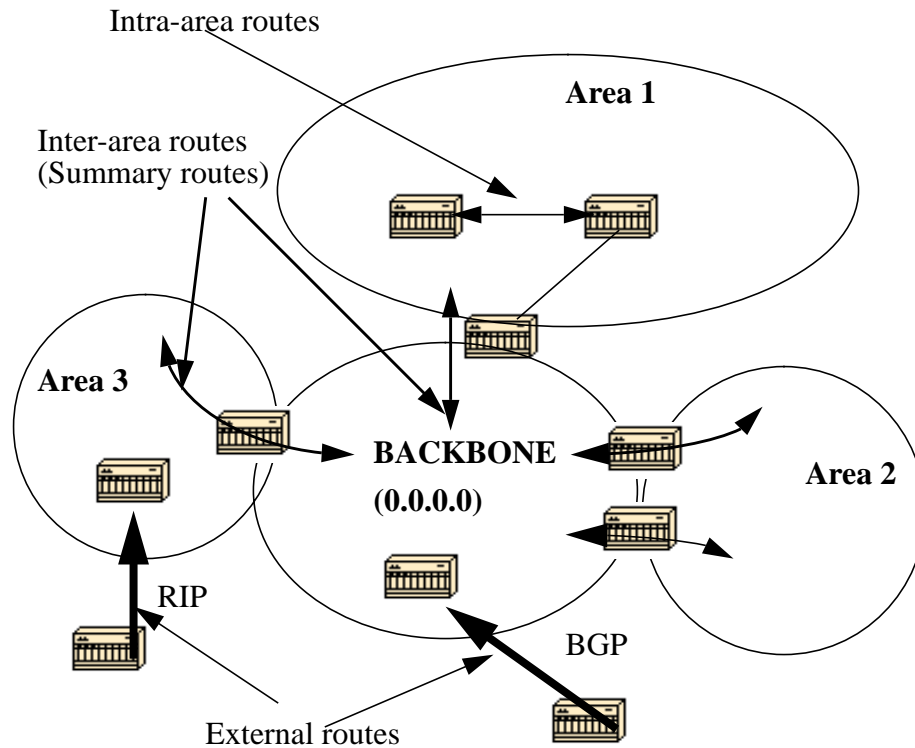
```
interface Ethernet0
ip address 10.10.10.10 255.255.255.0
ip ospf message-digest-key 10 md5 mypassword

router ospf 10
network 10.10.0.0 0.0.255.255 area 0
area 0 authentication message-digest
```

7.0 The Backbone and area 0

OSPF has special restrictions when multiple areas are involved. If more than one area is configured, one of these areas has to be area 0. This is called the backbone. When designing networks it is good practice to start with area 0 and then expand into other areas later on.

The backbone has to be at the center of all other areas, i.e. all areas have to be physically connected to the backbone. The reasoning behind this is that OSPF expects all areas to inject routing information into the backbone and in turn the backbone will disseminate that information into other areas. The following diagram will illustrate the flow of information in an OSPF network:



In the above diagram, all areas are directly connected to the backbone. In the rare situations where a new area is introduced that cannot have a direct physical access to the backbone, a virtual link will have to be configured. Virtual links will be discussed in the next section. Note the different types of routing information. Routes that are generated from within an area (the destination belongs to the area) are called **intra-area routes**. These routes are normally represented by the letter **O** in the IP routing table. Routes that originate from other areas are called **inter-area** or **Summary routes**. The notation for these routes is **O IA** in the IP routing table. Routes that originate from other routing protocols (or different OSPF processes) and that are injected into OSPF via redistribution are called **external routes**. These routes are represented by **O E2** or **O E1** in the IP routing table. Multiple routes to the same destination are preferred in the following order: intra-area, inter-area, external E1, external E2. External types E1 and E2 will be explained later.

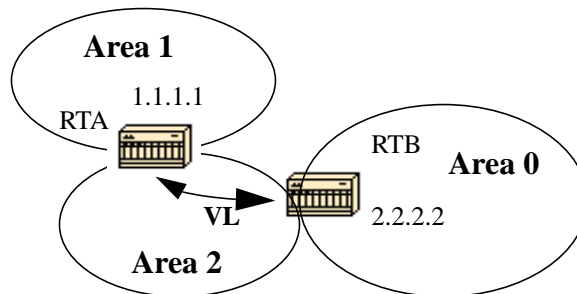
8.0 Virtual links

Virtual links are used for two purposes:

- 1- Linking an area that does not have a physical connection to the backbone.
- 2- Patching the backbone in case discontinuity of area 0 occurs.

8.1 Areas not physically connected to area 0

As mentioned earlier, area 0 has to be at the center of all other areas. In some rare case where it is impossible to have an area physically connected to the backbone, a virtual link is used. The virtual link will provide the disconnected area a logical path to the backbone. The virtual link has to be established between two ABRs that have a common area, with one ABR connected to the backbone. This is illustrated in the following example:



In this example, area 1 does not have a direct physical connection into area 0. A virtual link has to be configured between RTA and RTB. Area 2 is to be used as a transit area and RTB is the entry point into area 0. This way RTA and area 1 will have a logical connection to the backbone. In order to configure a virtual link, use the following router OSPF sub-command on both RTA and RTB:

```
area <area-id> virtual-link <RID>
```

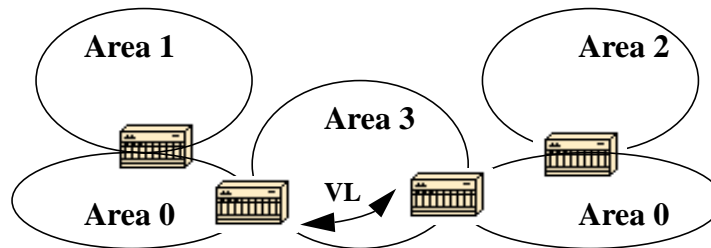
where area-id is the transit area. in the above diagram, this is area 2. The RID is the router-id. The OSPF router-id is usually the highest IP address on the box, or the highest loopback address if one exists. The router-id is only calculated at boot time or anytime the OSPF process is restarted. In order to find the router-id you can do a "**sh ip ospf int**", and the RID is listed there. Assuming that 1.1.1.1 and 2.2.2.2 are the respective RIDs of RTA and RTB, the OSPF configuration for both routers would be:

```
RTA#  
router ospf 10  
area 2 virtual-link 2.2.2.2
```

```
RTB#  
router ospf 10  
area 2 virtual-link 1.1.1.1
```

8.2 Partitioning the backbone

OSPF allows for linking discontinuous parts of the backbone using a virtual link. In some cases, different area 0s need to be linked together. This can occur if, for example, a company is trying to merge two separate OSPF networks into one network with a common area 0. In other instances, virtual-links are added for redundancy in case some router failure causes the backbone to be split into two. Whatever the reason may be, a virtual link can be configured between separate ABRs that touch area 0 from each side and having a common area. This is illustrated in the following example:



In the above diagram two area 0s are linked together via a virtual link. In case a common area does not exist, an additional area, such as area 3, could be created to become the transit area.

In case any area which is different than the backbone becomes partitioned, the backbone will take care of the partitioning without using any virtual links. One part of the partitioned area will be known to the other part via inter-area routes rather than intra-area routes.

9.0 Neighbors

Routers that share a common segment become neighbors on that segment. Neighbors are elected via the Hello protocol. Hello packets are sent periodically out of each interface using IP multicast (Appendix B). Routers become neighbors as soon as they see themselves listed in the neighbor's Hello packet. This way, a two way communication is guaranteed. Neighbor negotiation applies to the **primary address** only. Secondary addresses can be configured on an interface with a restriction that they have to belong to the same area as the primary address.

Two routers will not become neighbors unless they agree on the following:

1- Area-id: Two routers having a common segment; their interfaces have to belong to the same area on that segment. Of course, the interfaces should belong to the same subnet and have a similar mask.

2- Authentication: OSPF allows for the configuration of a password for a specific area. Routers that want to become neighbors have to exchange the same password on a particular segment.

3- Hello and Dead Intervals: OSPF exchanges Hello packets on each segment. This is a form of keepalive used by routers in order to acknowledge their existence on a segment and in order to elect a designated router (DR) on multiaccess segments. The Hello interval specifies the length of time, in seconds, between the hello packets that a router sends on an OSPF interface. The dead interval is the number of seconds that a router's Hello packets have not been seen before its neighbors declare the OSPF router down.

OSPF requires these intervals to be exactly the same between two neighbors. If any of these intervals are different, these routers will not become neighbors on a particular segment. The router interface commands used to set these timers are:

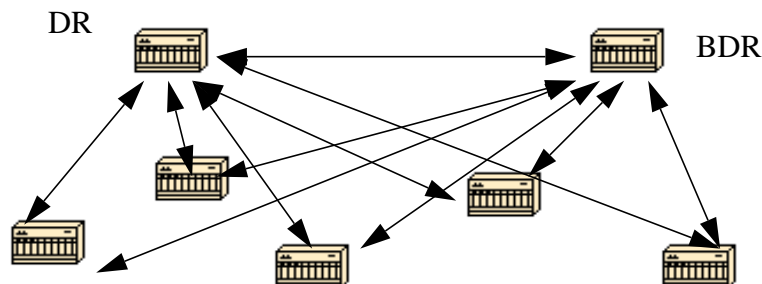
```
ip ospf hello-interval seconds
```

```
ip ospf dead-interval seconds
```

4- Stub area flag: Two routers have to also agree on the stub area flag in the Hello packets in order to become neighbors. Stub areas will be discussed in a later section. Keep in mind for now that defining stub areas will affect the neighbor election process.

10.0 Adjacencies

An adjacency is the next step after the neighboring process. Adjacent routers are routers who go beyond the simple Hello exchange and proceed into the database exchange process. In order to minimize the amount of information exchange on a particular segment, OSPF elects one router to be a designated router (DR), and one router to be a backup designated router (BDR) on each multi-access segment. The BDR is elected as a backup mechanism in case the DR goes down. The idea behind this is that routers have a central point of contact for information exchange. Instead of each router exchanging updates with every other router on the segment, every router will exchange the information with the DR and BDR. The DR and BDR will relay the information to everybody else. In mathematical terms this would cut the information exchange from $O(n*n)$ to $O(n)$ where n is the number of routers on a multi-access segment. The following router model will illustrate the DR and BDR:



In the above diagram, all routers share a common multi-access segment. Due to the exchange of Hello packets, one router is elected DR and

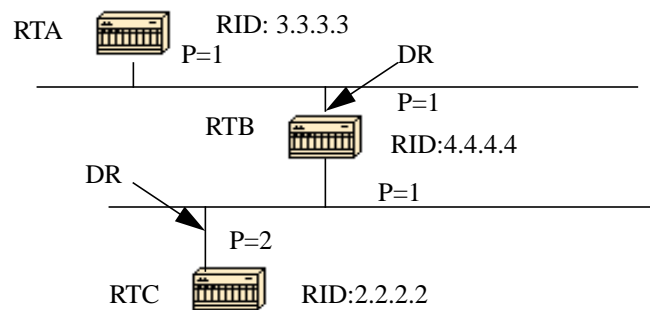
another is elected BDR. Each router on the segment (which already became a neighbor) will try to establish an adjacency with the DR and BDR.

10.1 DR Election

DR and BDR election is done via the Hello protocol. Hello packets are exchanged via IP multicast packets (Appendix B) on each segment. The router with the highest OSPF priority on a segment will become the DR for that segment. The same process is repeated for the BDR. In case of a tie, the router with the highest RID will win. The default for the interface OSPF priority is one. Remember that the DR and BDR concepts are per multiaccess segment. Setting the ospf priority on an interface is done using the following interface command:

```
ip ospf priority <value>
```

A priority value of zero indicates an interface which is not to be elected as DR or BDR. The state of the interface with priority zero will be **DROTHER**. The following diagram illustrates the DR election:



In the above diagram, RTA and RTB have the same interface priority but RTB has a higher RID. RTB would be DR on that segment. RTC has a higher priority than RTB. RTC is DR on that segment.

10.2 Building the Adjacency

The adjacency building process takes effect after multiple stages have been fulfilled. Routers that become adjacent will have the exact link-state database. The following is a brief summary of the states an interface passes through before becoming adjacent to another router:

1- Down: No information has been received from anybody on the segment.

1'- Attempt: On non-broadcast multi-access clouds such as Frame Relay and X.25, this state indicates that no recent information has been received from the neighbor. An effort should be made to contact the neighbor by sending Hello packets at the reduced rate PollInterval.

2- Init: The interface has detected a Hello packet coming from a neighbor but bi-directional communication has not yet been established.

3- Two-way: There is bi-directional communication with a neighbor. The router has seen itself in the Hello packets coming from a neighbor. At the end of this stage the DR and BDR election would have been done. At the end of the 2way stage, routers will decide whether to proceed in building an adjacency or not. The decision is based on whether one of the routers is a DR or BDR or the link is a point-to-point or a virtual link.

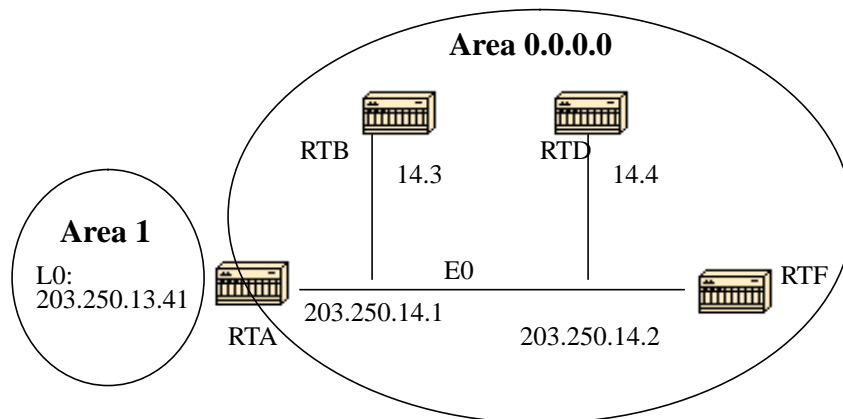
4- Exstart: Routers are trying to establish the initial sequence number that is going to be used in the information exchange packets. The sequence number insures that routers always get the most recent information. One router will become the primary and the other will become secondary. The primary router will poll the secondary for information.

5- Exchange: Routers will describe their entire link-state database by sending database description packets. At this state, packets could be flooded to other interfaces on the router.

6- Loading: At this state, routers are finalizing the information exchange. Routers have built a link-state request list and a link-state retransmission list. Any information that looks incomplete or outdated will be put on the request list. Any update that is sent will be put on the retransmission list until it gets acknowledged.

7- Full: At this state, the adjacency is complete. The neighboring routers are fully adjacent. Adjacent routers will have a similar link-state database.

Example:



RTA, RTB, RTD, and RTF share a common segment (E0) in area 0.0.0.0. The following are the configs of RTA and RTF. RTB and RTD should have a similar configuration to RTF and will not be included.

```

RTA#
hostname RTA

interface Loopback0
 ip address 203.250.13.41 255.255.255.0

interface Ethernet0
 ip address 203.250.14.1 255.255.255.0

router ospf 10
 network 203.250.13.1 0.0.0.0 area 1
 network 203.250.0.0 0.0.255.255 area 0.0.0.0

```

```

RTF#
hostname RTF
interface Ethernet0
 ip address 203.250.14.2 255.255.255.0

router ospf 10
 network 203.250.0.0 0.0.255.255 area 0.0.0.0

```

The above is a simple example that demonstrates a couple of commands that are very useful in debugging OSPF networks.

sh ip ospf interface <interface>

This command is a quick check to see if all of the interfaces belong to the areas they are supposed to be in. The sequence in which the OSPF network commands are listed is very important. In RTA's configuration, if the "network 203.250.0.0 0.0.255.255 area 0.0.0.0" statement was put before the "network 203.250.13.41 0.0.0.0 area 1" statement, all of the interfaces would be in area 0, which is incorrect because the loopback is in area 1. Let us look at the command's output on RTA, RTF, RTB, and RTD:

```

RTA#sh ip ospf interface e 0
Ethernet0 is up, line protocol is up
  Internet Address 203.250.14.1 255.255.255.0, Area 0.0.0.0
  Process ID 10, Router ID 203.250.13.41, Network Type BROADCAST, Cost:
10
  Transmit Delay is 1 sec, State BDR, Priority 1
  Designated Router (ID) 203.250.15.1, Interface address 203.250.14.2
  Backup Designated router (ID) 203.250.13.41, Interface address
203.250.14.1
  Timer intervals configured, Hello 10, Dead 40, Wait 40, Retransmit 5
  Hello due in 0:00:02
  Neighbor Count is 3, Adjacent neighbor count is 3
  Adjacent with neighbor 203.250.15.1 (Designated Router)
Loopback0 is up, line protocol is up
  Internet Address 203.250.13.41 255.255.255.255, Area 1
  Process ID 10, Router ID 203.250.13.41, Network Type LOOPBACK, Cost: 1
  Loopback interface is treated as a stub Host

```

```

RTF#sh ip o int e 0

```

```
Ethernet0 is up, line protocol is up
  Internet Address 203.250.14.2 255.255.255.0, Area 0.0.0.0
  Process ID 10, Router ID 203.250.15.1, Network Type BROADCAST, Cost: 10
  Transmit Delay is 1 sec, State DR, Priority 1
  Designated Router (ID) 203.250.15.1, Interface address 203.250.14.2
  Backup Designated router (ID) 203.250.13.41, Interface address
203.250.14.1
  Timer intervals configured, Hello 10, Dead 40, Wait 40, Retransmit 5
  Hello due in 0:00:08
  Neighbor Count is 3, Adjacent neighbor count is 3
  Adjacent with neighbor 203.250.13.41 (Backup Designated Router)
```

```
RTD#sh ip ospf interface e 0
Ethernet0 is up, line protocol is up
  Internet Address 203.250.14.4 255.255.255.0, Area 0.0.0.0
  Process ID 10, Router ID 192.208.10.174, Network Type BROADCAST, Cost:
10
  Transmit Delay is 1 sec, State DROTHER, Priority 1
  Designated Router (ID) 203.250.15.1, Interface address 203.250.14.2
  Backup Designated router (ID) 203.250.13.41, Interface address
203.250.14.1
  Timer intervals configured, Hello 10, Dead 40, Wait 40, Retransmit 5
  Hello due in 0:00:03
  Neighbor Count is 3, Adjacent neighbor count is 2
  Adjacent with neighbor 203.250.15.1 (Designated Router)
  Adjacent with neighbor 203.250.13.41 (Backup Designated Router)
```

```
RTB#sh ip o int e 0
Ethernet0 is up, line protocol is up
  Internet Address 203.250.14.3 255.255.255.0, Area 0.0.0.0
  Process ID 10, Router ID 203.250.12.1, Network Type BROADCAST, Cost: 10
  Transmit Delay is 1 sec, State DROTHER, Priority 1
  Designated Router (ID) 203.250.15.1, Interface address 203.250.14.2
  Backup Designated router (ID) 203.250.13.41, Interface address
203.250.14.1
  Timer intervals configured, Hello 10, Dead 40, Wait 40, Retransmit 5
  Hello due in 0:00:03
  Neighbor Count is 3, Adjacent neighbor count is 2
  Adjacent with neighbor 203.250.15.1 (Designated Router)
  Adjacent with neighbor 203.250.13.41 (Backup Designated Router)
```

The above output shows very important information. Let us look at RTA's output. Ethernet0 is in area 0.0.0.0. The process ID is 10 (router ospf 10) and the router ID is 203.250.13.41. Remember that the RID is the highest IP address on the box or the loopback interface, calculated at boot time or whenever the OSPF process is restarted. The state of the interface is BDR. Since all routers have the same OSPF priority on Ethernet 0 (default is 1), RTF's interface was elected as DR because of the higher RID. In the same way, RTA was elected as BDR. RTD and RTB are neither a DR or BDR and their state is DROTHER.

Also note the neighbor count and the adjacent count. RTD has three neighbors and is adjacent to two of them, the DR and the BDR. RTF has three neighbors and is adjacent to all of them because it is the DR.

The information about the network type is important and will determine the state of the interface. On broadcast networks such as Ethernet, the election of the DR and BDR should be irrelevant to the end user. It should not matter who the DR or BDR are. In other cases, such as NBMA media such as Frame Relay and X.25, this becomes very important for OSPF to function correctly. Fortunately, with the introduction of point-to-point and point-to-multipoint subinterfaces, DR election is no longer an issue. OSPF over NBMA will be discussed in the next section.

Another command we need to look at is:

```
sh ip ospf neighbor
```

Let us look at RTD's output:

```
RTD#sh ip o n
```

Neighbor ID	Pri	State	Dead Time	Address	Interface
203.250.12.1	1	2WAY/DROTHER	0:00:37	203.250.14.3	Ethernet0
203.250.15.1	1	FULL/DR	0:00:36	203.250.14.2	Ethernet0
203.250.13.41	1	FULL/BDR	0:00:34	203.250.14.1	Ethernet0

The `ip ospf neighbor` command shows the state of all the neighbors on a particular segment. Do not be alarmed if the "Neighbor ID" does not belong to the segment you are looking at. In our case 203.250.12.1 and 103.250.15.1 are not on Ethernet0. This is "OK" because the "Neighbor ID" is actually the RID which could be any IP address on the box. RTD and RTB are just neighbors, that is why the state is 2WAY/DROTHER. RTD is adjacent to RTA and RTF and the state is FULL/DR and FULL/BDR.

10.3 Adjacencies on point-to-point interfaces

OSPF will always form an adjacency with the neighbor on the other side of a point-to-point interface such as point-to-point serial lines. There is no concept of DR or BDR. The state of the serial interfaces is point to point.

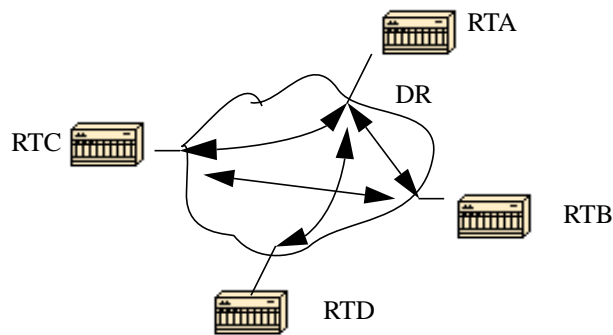
10.4 Adjacencies on Non-Broadcast Multi-Access (NBMA)

Special care should be taken when configuring OSPF over multi-access non-broadcast medias such as Frame Relay, X.25, ATM. The protocol considers these media like any other broadcast media such as Ethernet. NBMA clouds are usually built in a hub and spoke topology. PVCs or SVCs are laid out in a partial mesh and the physical topology does not provide the multi

access that OSPF believes is out there. The selection of the DR becomes an issue because the DR and BDR need to have full physical connectivity with all routers that exist on the cloud. Also, because of the lack of broadcast capabilities, the DR and BDR need to have a static list of all other routers attached to the cloud. This is achieved using the neighbor command:

```
neighbor ip-address [priority number] [poll-interval seconds]
```

where the "ip-address" and "priority" are the IP address and the OSPF priority given to the neighbor. A neighbor with priority 0 is considered ineligible for DR election. The "poll-interval" is the amount of time an NBMA interface waits before polling (sending a Hello) to a presumably dead neighbor. The neighbor command applies to routers with a potential of being DRs or BDRs (interface priority not equal to 0). The following diagram shows a network diagram where DR selection is very important:



In the above diagram, it is essential for RTA's interface to the cloud to be elected DR. This is because RTA is the only router that has full connectivity to other routers. The election of the DR could be influenced by setting the ospf priority on the interfaces. Routers that do not need to become DRs or BDRs will have a priority of 0 other routers could have a lower priority.

I will not dwell too much on the use of the "neighbor" command as this is becoming obsolete with the introduction of new means of setting the interface Network Type to whatever we want irrespective of what the underlying physical media is. This is explained in the following section.

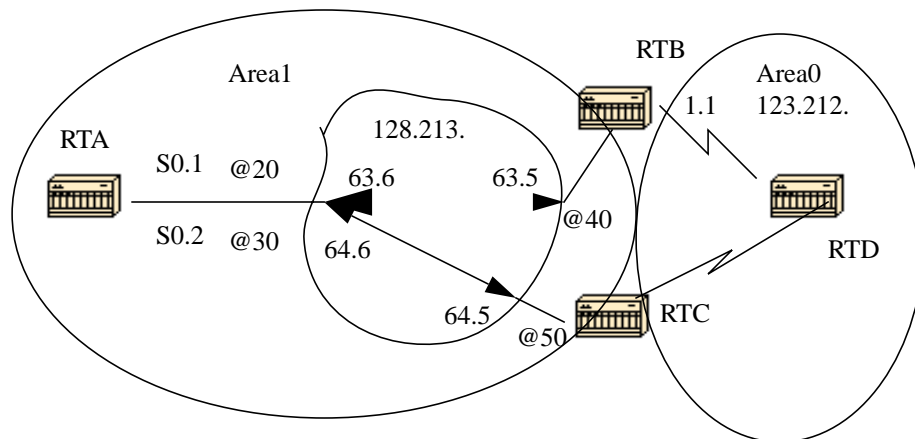
11.0 Avoiding DRs and "neighbor" command on NBMA

Different methods can be used to avoid the complications of configuring static neighbors and having specific routers becoming DRs or BDRs on the non-broadcast cloud. Specifying which method to use is influenced by whether we are starting the network from scratch or rectifying an already existing design.

11.1 Point-to-point subinterfaces

A subinterface is a logical way of defining an interface. The same physical interface can be split into multiple logical interfaces, with each subinterface being defined as point-to-point. This was originally created in order to better handle issues caused by split horizon over NBMA and vector based routing protocols.

A point-to-point subinterface has the properties of any physical point-to-point interface. As far as OSPF is concerned, an adjacency is always formed over a point-to-point subinterface with no DR or BDR election. The following is an illustration of point-to-point subinterfaces:



In the above diagram, on RTA, we can split Serial 0 into two point-to-point subinterfaces, S0.1 and S0.2. This way, OSPF will consider the cloud as a set of point-to-point links rather than one multi-access network. The only drawback for the point-to-point is that each segment will belong to a different subnet. This might not be acceptable since some administrators have already assigned one IP subnet for the whole cloud.

Another workaround is to use IP unnumbered interfaces on the cloud. This also might be a problem for some administrators who manage the WAN based on IP addresses of the serial lines. The following is a typical configuration for RTA and RTB:

```
RTA#  
  
interface Serial 0  
  no ip address  
  encapsulation frame-relay  
  
interface Serial0.1 point-to-point  
  ip address 128.213.63.6 255.255.252.0  
  frame-relay interface-dlci 20  
  
interface Serial0.2 point-to-point
```

```
ip address 128.213.64.6 255.255.252.0
frame-relay interface-dlci 30

router ospf 10
network 128.213.0.0 0.0.255.255 area 1

RTB#

interface Serial 0
no ip address
encapsulation frame-relay

interface Serial0.1 point-to-point
ip address 128.213.63.5 255.255.252.0
frame-relay interface-dlci 40

interface Serial1
ip address 123.212.1.1 255.255.255.0

router ospf 10
network 128.213.0.0 0.0.255.255 area 1
network 123.212.0.0 0.0.255.255 area 0
```

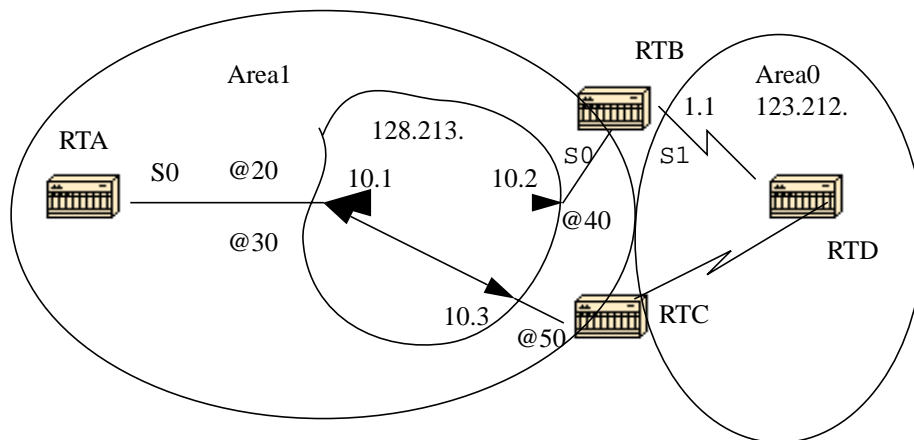
11.2 Selecting Interface Network Types

The command used to set the network type of an OSPF interface is:

```
ip ospf network {broadcast | non-broadcast | point-to-multipoint}
```

11.2.1 Point-to-multipoint interfaces

An OSPF point-to-multipoint interface is defined as a numbered point-to-point interface having one or more neighbors. This concept takes the previously discussed point-to-point concept one step further. Administrators do not have to worry about having multiple subnets for each point-to-point link. The cloud is configured as one subnet. This should work well for people who are migrating into the point-to-point concept with no change in IP addressing on the cloud. Also, they would not have to worry about DRs and neighbor statements. OSPF point-to-multipoint works by exchanging additional link-state updates that contain a number of information elements that describe connectivity to the neighboring routers.



```

RTA#

interface Loopback0
 ip address 200.200.10.1 255.255.255.0

interface Serial0
 ip address 128.213.10.1 255.255.252.0
 encapsulation frame-relay
 ip ospf network point-to-multipoint

router ospf 10
 network 128.213.0.0 0.0.255.255 area 1

```

```

RTB#

interface Serial0
 ip address 128.213.10.2 255.255.255.0
 encapsulation frame-relay
 ip ospf network point-to-multipoint

interface Serial1
 ip address 123.212.1.1 255.255.255.0

router ospf 10
 network 128.213.0.0 0.0.255.255 area 1
 network 123.212.0.0 0.0.255.255 area 0

```

Note that no static frame relay map statements were configured; this is because Inverse ARP takes care of the DLCI to IP address mapping. Let us look at some of **sh ip o int** and **sh ip o route** outputs:

```

RTA#sh ip o int s0
Serial0 is up, line protocol is up
  Internet Address 128.213.10.1 255.255.255.0, Area 0
  Process ID 10, Router ID 200.200.10.1, Network Type
POINT_TO_MULTIPOINT, Cost: 64
  Transmit Delay is 1 sec, State POINT_TO_MULTIPOINT,
  Timer intervals configured, Hello 30, Dead 120, Wait 120, Retransmit 5
  Hello due in 0:00:04
  Neighbor Count is 2, Adjacent neighbor count is 2
    Adjacent with neighbor 195.211.10.174
    Adjacent with neighbor 128.213.63.130

```

```
RTA#sh ip o n
```

Neighbor ID	Pri	State		Dead Time	Address	Interface
128.213.10.3	1	FULL/	-	0:01:35	128.213.10.3	Serial0
128.213.10.2	1	FULL/	-	0:01:44	128.213.10.2	Serial0

```
RTB#sh ip o int s0
```

```

Serial0 is up, line protocol is up
  Internet Address 128.213.10.2 255.255.255.0, Area 0
  Process ID 10, Router ID 128.213.10.2, Network Type
POINT_TO_MULTIPOINT, Cost: 64
  Transmit Delay is 1 sec, State POINT_TO_MULTIPOINT,
  Timer intervals configured, Hello 30, Dead 120, Wait 120, Retransmit 5
  Hello due in 0:00:14
  Neighbor Count is 1, Adjacent neighbor count is 1
    Adjacent with neighbor 200.200.10.1

```

```
RTB#sh ip o n
```

Neighbor ID	Pri	State		Dead Time	Address	Interface
200.200.10.1	1	FULL/	-	0:01:52	128.213.10.1	Serial0

The only drawback for point-to-multipoint is that it generates multiple Hosts routes (routes with mask 255.255.255.255) for all the neighbors. Note the Host routes in the following IP routing table for RTB:

```
RTB#sh ip rou
```

```

Codes: C - connected, S - static, I - IGRP, R - RIP, M - mobile, B - BGP
       D - EIGRP, EX - EIGRP external, O - OSPF, IA - OSPF inter area
       E1 - OSPF external type 1, E2 - OSPF external type 2, E - EGP

```

i - IS-IS, L1 - IS-IS level-1, L2 - IS-IS level-2, * - candidate default

Gateway of last resort is not set

```
200.200.10.0 255.255.255.255 is subnetted, 1 subnets
O    200.200.10.1 [110/65] via 128.213.10.1, Serial0
    128.213.0.0 is variably subnetted, 3 subnets, 2 masks
O    128.213.10.3 255.255.255.255
    [110/128] via 128.213.10.1, 00:00:00, Serial0
O    128.213.10.1 255.255.255.255
    [110/64] via 128.213.10.1, 00:00:00, Serial0
C    128.213.10.0 255.255.255.0 is directly connected, Serial0
C    123.0.0.0 255.255.255.0 is subnetted, 1 subnets
C    123.212.1.0 is directly connected, Serial1
```

RTC#sh ip route

```
200.200.10.0 255.255.255.255 is subnetted, 1 subnets
O    200.200.10.1 [110/65] via 128.213.10.1, Serial1
    128.213.0.0 is variably subnetted, 4 subnets, 2 masks
O    128.213.10.2 255.255.255.255 [110/128] via 128.213.10.1,Serial1
O    128.213.10.1 255.255.255.255 [110/64] via 128.213.10.1, Serial1
C    128.213.10.0 255.255.255.0 is directly connected, Serial1
C    123.0.0.0 255.255.255.0 is subnetted, 1 subnets
O    123.212.1.0 [110/192] via 128.213.10.1, 00:14:29, Serial1
```

Note that in RTC's IP routing table, network 123.212.1.0 is reachable via next hop 128.213.10.1 and not via 128.213.10.2 as you normally see over Frame Relay clouds sharing the same subnet. This is one advantage of the point-to-multipoint configuration because you do not need to resort to static mapping on RTC to be able to reach next hop 128.213.10.2.

11.2.2 Broadcast interfaces

This approach is a workaround for using the "neighbor" command which statically lists all existing neighbors. The interface will be logically set to broadcast and will behave as if the router were connected to a LAN. DR and BDR election will still be performed so special care should be taken to assure either a full mesh topology or a static selection of the DR based on the interface priority. The command that sets the interface to broadcast is:

```
ip ospf network broadcast
```

12.0 OSPF and Route Summarization

Summarizing is the consolidation of multiple routes into one single advertisement. This is normally done at the boundaries of Area Border Routers. Although summarization could be configured between any two areas, it is better to summarize in the direction of the backbone. This way the backbone receives all the aggregate addresses and in turn will injects them, already summarized, into other areas. There are two types of summarization:

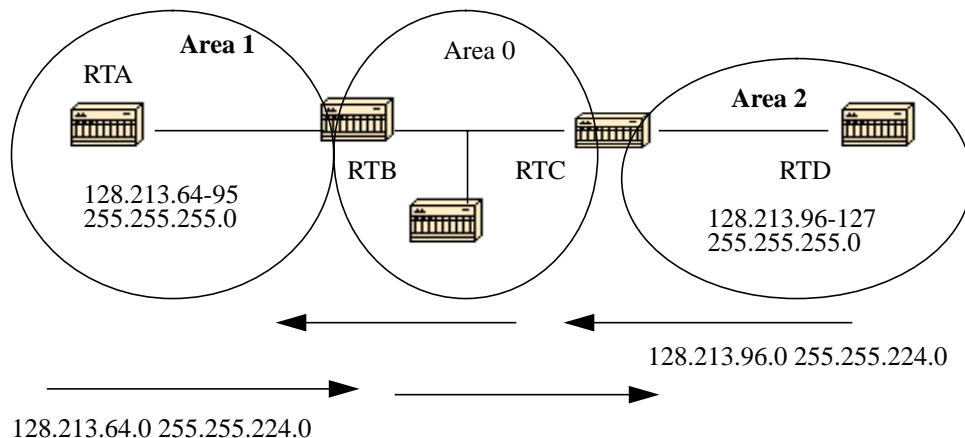
- 1- Inter-area route summarization
- 2- External route summarization

12.1 Inter-area route summarization

Inter-area route summarization is done on ABRs and it applies to routes from within the AS. It does not apply to external routes injected into OSPF via redistribution. In order to take advantage of summarization, network numbers in areas should be assigned in a contiguous way to be able to lump these addresses into one range. To specify an address range, perform the following task in router configuration mode:

area *area-id* **range** *address mask*

Where the "area-id" is the area containing networks to be summarized. The "address" and "mask" will specify the range of addresses to be summarized in one range. The following is an example of summarization:



In the above diagram, RTB is summarizing the range of subnets from 128.213.64.0 to 128.213.95.0 into one range: 128.213.64.0 255.255.224.0. This is achieved by masking the first three left most bits of 64 using a mask of 255.255.244.0. In the same way, RTC is generating the summary address 128.213.96.0 255.255.224.0 into the backbone. Note that this

summarization was successful because we have two distinct ranges of subnets, 64-95 and 96-127.

It would be hard to summarize if the subnets between area 1 and area 2 were overlapping. The backbone area would receive summary ranges that overlap and routers in the middle would not know where to send the traffic based on the summary address.

The following is the relative configuration of RTB:

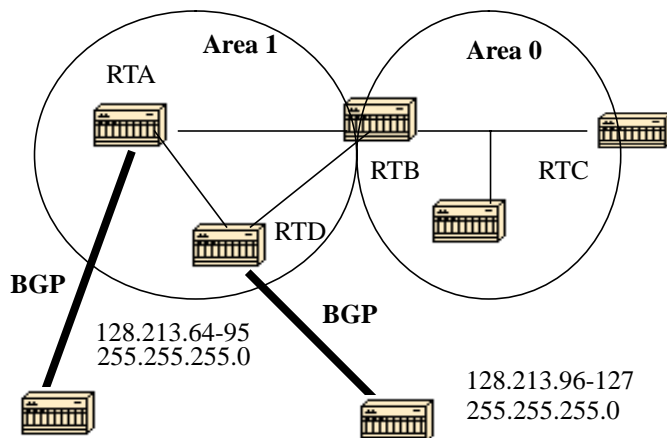
```
RTB#  
router ospf 100  
area 1 range 128.213.64.0 255.255.224.0
```

12.2 External route summarization

External route summarization is specific to external routes that are injected into OSPF via redistribution. Also, make sure that external ranges that are being summarized are contiguous. Summarization overlapping ranges from two different routers could cause packets to be sent to the wrong destination. Summarization is done via the following "router ospf" subcommand:

summary-address *ip-address mask*

This command is effective only on ASBRs doing redistribution into OSPF.



In the above diagram, RTA and RTD are injecting external routes into OSPF by redistribution. RTA is injecting subnets in the range 128.213.64-95 and RTD is injecting subnets in the range 128.213.96-127. In order to

summarize the subnets into one range on each router we can do the following:

```
RTA#  
router ospf 100  
summary-address 128.213.64.0 255.255.224.0  
redistribute bgp 50 metric 1000 subnets
```

```
RTD#  
router ospf 100  
summary-address 128.213.96.0 255.255.224.0  
redistribute bgp 20 metric 1000 subnets
```

This will cause RTA to generate one external route 128.213.64.0 255.255.224.0 and will cause RTD to generate 128.213.96.0 255.255.224.0.

Note that the **summary-address** command has no effect if used on RTB because RTB is not doing the redistribution into OSPF.

13.0 Stub Areas

OSPF allows certain areas to be configured as stub areas. External networks, such as those redistributed from other protocols into OSPF, are not allowed to be flooded into a stub area. Routing from these areas to the outside world is based on a default route. Configuring a stub area reduces the topological database size inside an area and reduces the memory requirements of routers inside that area.

An area could be qualified a stub when there is a single exit point from that area or if routing to outside of the area does not have to take an optimal path. The latter description is just an indication that a stub area that has multiple exit points, will have one or more area border routers injecting a default into that area. Routing to the outside world could take a sub-optimal path in reaching the destination by going out of the area via an exit point which is farther to the destination than other exit points.

Other stub area restrictions are that a stub area cannot be used as a transit area for virtual links. Also, an ASBR cannot be internal to a stub area. These restrictions are made because a stub area is mainly configured not to carry external routes and any of the above situations cause external links to be injected in that area. The backbone, of course, cannot be configured as stub.

All OSPF routers inside a stub area have to be configured as stub routers. This is because whenever an area is configured as stub, all interfaces that belong to that area will start exchanging Hello packets with a flag that indicates that the interface is stub. Actually this is just a

bit in the Hello packet (E bit) that gets set to 0. All routers that have a common segment have to agree on that flag. If they don't, then they will not become neighbors and routing will not take effect.

An extension to stub areas is what is called "totally stubby areas". Cisco indicates this by adding a "no-summary" keyword to the stub area configuration. A totally stubby area is one that blocks external routes and summary routes (inter-area routes) from going into the area. This way, intra-area routes and the default of 0.0.0.0 are the only routes injected into that area.

The command that configures an area as stub is:

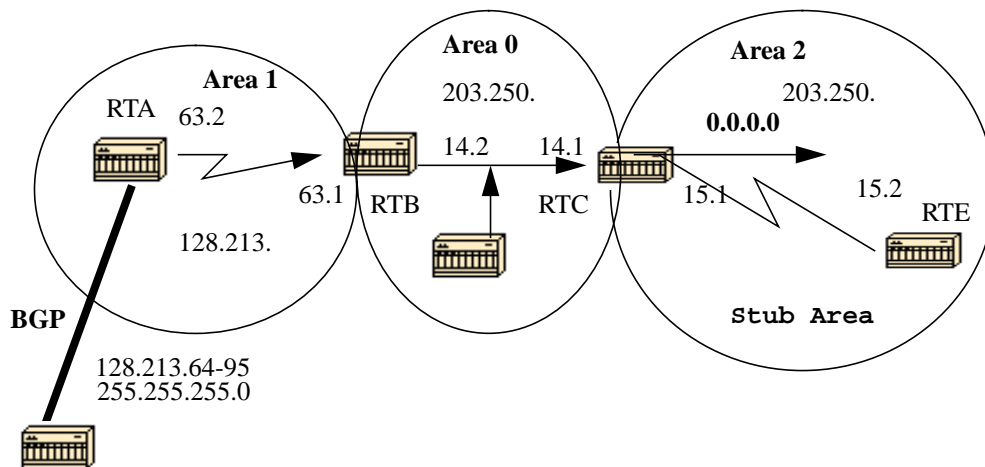
```
area <area-id> stub [no-summary]
```

and the command that configures a default-cost into an area is:

```
area area-id default-cost cost
```

If the cost is not set using the above command, a cost of 1 will be advertised by the ABR.

Example:



Assume that area 2 is to be configured as a stub area. The following example will show the routing table of RTE before and after configuring area 2 as stub.

```
RTC#
```

```
interface Ethernet 0  
ip address 203.250.14.1 255.255.255.0
```

```
interface Serial1
 ip address 203.250.15.1 255.255.255.252
```

```
router ospf 10
 network 203.250.15.0 0.0.0.255 area 2
 network 203.250.14.0 0.0.0.255 area 0
```

```
RTE#sh ip route
```

```
Codes: C - connected, S - static, I - IGRP, R - RIP, M - mobile, B - BGP
       D - EIGRP, EX - EIGRP external, O - OSPF, IA - OSPF inter area
       E1 - OSPF external type 1, E2 - OSPF external type 2, E - EGP
       i - IS-IS, L1 - IS-IS level-1, L2 - IS-IS level-2, * - candidate
default
```

```
Gateway of last resort is not set
```

```
      203.250.15.0 255.255.255.252 is subnetted, 1 subnets
C       203.250.15.0 is directly connected, Serial0
O IA 203.250.14.0 [110/74] via 203.250.15.1, 00:06:31, Serial0
      128.213.0.0 is variably subnetted, 2 subnets, 2 masks
O E2   128.213.64.0 255.255.192.0
        [110/10] via 203.250.15.1, 00:00:29, Serial0
O IA   128.213.63.0 255.255.255.252
        [110/84] via 203.250.15.1, 00:03:57, Serial0
      131.108.0.0 255.255.255.240 is subnetted, 1 subnets
O       131.108.79.208 [110/74] via 203.250.15.1, 00:00:10, Serial0
```

```
RTE has learned the inter-area routes (O IA) 203.250.14.0 and
128.213.63.0 and it has learned the intra-area route (O) 131.108.79.208
and the external route (O E2) 128.213.64.0.
```

```
If we configure area 2 as stub, we need to do the following:
```

```
RTC#
```

```
interface Ethernet 0
 ip address 203.250.14.1 255.255.255.0

interface Serial1
 ip address 203.250.15.1 255.255.255.252

router ospf 10
 network 203.250.15.0 0.0.0.255 area 2
 network 203.250.14.0 0.0.0.255 area 0
 area 2 stub
```

```
RTE#
```

```
interface Ethernet0
 ip address 203.250.14.2 255.255.255.0

interface Ethernet1
 ip address 131.108.79.209 255.255.255.240
```



```

interface Serial1
 ip address 203.250.15.1 255.255.255.252
router ospf 10
 network 203.250.15.0 0.0.0.255 area 2
 network 203.250.14.0 0.0.0.255 area 0
 network 131.108.0.0 0.0.255.255 area 2
 area 2 stub

```

Note that the stub command is configured on RTE also, otherwise RTE will never become a neighbor to RTC. The default cost was not set, so RTC will advertise 0.0.0.0 to RTE with a metric of 1.

```

RTE#sh ip route
Codes: C - connected, S - static, I - IGRP, R - RIP, M - mobile, B - BGP
       D - EIGRP, EX - EIGRP external, O - OSPF, IA - OSPF inter area
       E1 - OSPF external type 1, E2 - OSPF external type 2, E - EGP
       i - IS-IS, L1 - IS-IS level-1, L2 - IS-IS level-2, * - candidate
       default

```

Gateway of last resort is 203.250.15.1 to network 0.0.0.0

```

      203.250.15.0 255.255.255.252 is subnetted, 1 subnets
C       203.250.15.0 is directly connected, Serial0
O IA   203.250.14.0 [110/74] via 203.250.15.1, 00:26:58, Serial0
      128.213.0.0 255.255.255.252 is subnetted, 1 subnets
O IA   128.213.63.0 [110/84] via 203.250.15.1, 00:26:59, Serial0
      131.108.0.0 255.255.255.240 is subnetted, 1 subnets
O       131.108.79.208 [110/74] via 203.250.15.1, 00:26:59, Serial0
O*IA  0.0.0.0 0.0.0.0 [110/65] via 203.250.15.1, 00:26:59, Serial0

```

Note that all the routes show up except the external routes which were replaced by a default route of 0.0.0.0. The cost of the route happened to be 65 (64 for a T1 line + 1 advertised by RTC).

We will now configure area 2 to be totally stubby, and change the default cost of 0.0.0.0 to 10.

```

RTC#

```

```

interface Ethernet 0
 ip address 203.250.14.1 255.255.255.0

interface Serial1
 ip address 203.250.15.1 255.255.255.252

router ospf 10
 network 203.250.15.0 0.0.0.255 area 2
 network 203.250.14.0 0.0.0.255 area 0
 area 2 stub no-summary

```

```

RTE#sh ip route

Codes: C - connected, S - static, I - IGRP, R - RIP, M - mobile, B - BGP
       D - EIGRP, EX - EIGRP external, O - OSPF, IA - OSPF inter area

```

E1 - OSPF external type 1, E2 - OSPF external type 2, E - EGP
i - IS-IS, L1 - IS-IS level-1, L2 - IS-IS level-2, * - candidate
default

Gateway of last resort is not set

```
203.250.15.0 255.255.255.252 is subnetted, 1 subnets
C    203.250.15.0 is directly connected, Serial0
203.250.15.0 255.255.255.252 is subnetted, 1 subnets
O    131.108.79.208 [110/74] via 203.250.15.1, 00:31:27, Serial0
O*IA 0.0.0.0 0.0.0.0 [110/74] via 203.250.15.1, 00:00:00, Serial0
```

Note that the only routes that show up are the intra-area routes (O) and the default-route 0.0.0.0. The external and inter-area routes have been blocked. The cost of the default route is now 74 (64 for a T1 line + 10 advertised by RTC). No configuration is needed on RTE in this case. The area is already stub, and the **no-summary** command does not affect the Hello packet at all as the stub command does.

14.0 Redistributing routes into OSPF

Redistributing routes into OSPF from other routing protocols or from static will cause these routes to become OSPF external routes. To redistribute routes into OSPF, use the following command in router configuration mode:

```
redistribute protocol [process-id] [metric value] [metric-type value]  
[route-map map-tag] [subnets]
```

The protocol and process-id are the protocol that we are injecting into OSPF and its process-id if it exists. The metric is the cost we are assigning to the external route. If no metric is specified, OSPF puts a default value of 20 when redistributing routes from all protocols except BGP routes, which get a metric of 1. The metric-type is discussed in the next paragraph.

The route-map is a method used to control the redistribution of routes between routing domains. The format of a route map is:

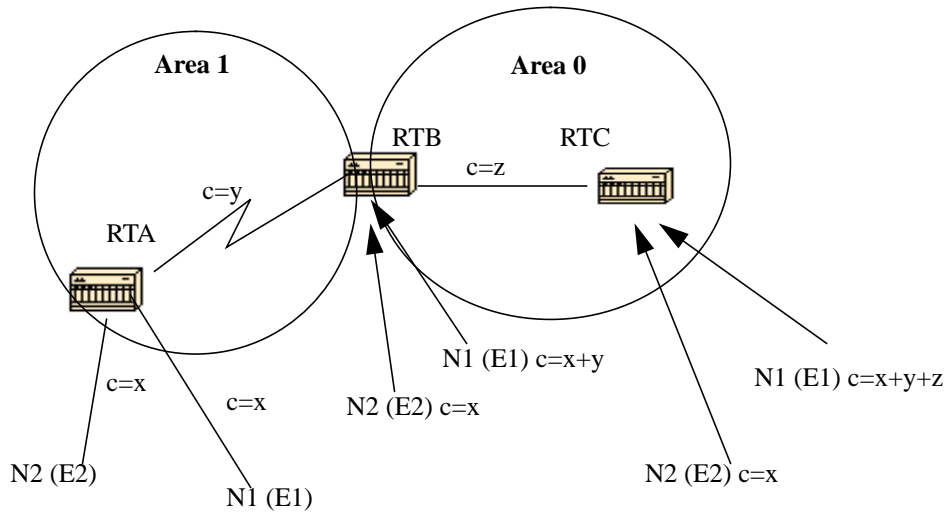
```
route-map map-tag [[permit | deny] | [sequence-number]]
```

When redistributing routes into OSPF, only routes that are not subnetted are redistributed if the **subnets** keyword is not specified.

14.1 E1 vs. E2 external routes

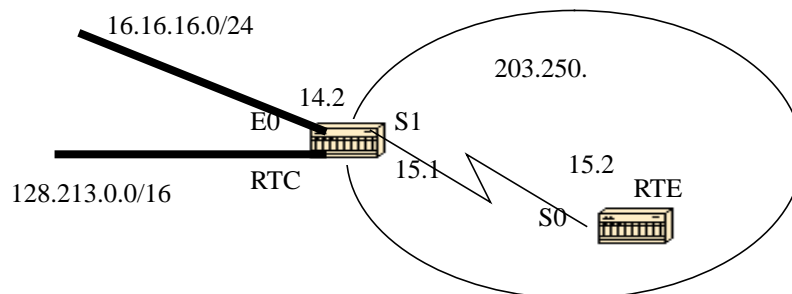
External routes fall under two categories, external type 1 and external type 2. The difference between the two is in the way the cost (metric) of the route is being calculated. The cost of a type 2 route is always the external cost, irrespective of the interior cost to reach that route. A type 1 cost is the addition of the external cost and the internal cost used to reach that route. A type 1 route is always preferred over a type

2 route for the same destination. This is illustrated in the following diagram:



As the above diagram shows, RTA is redistributing two external routes into OSPF. N1 and N2 both have an external cost of x . The only difference is that N1 is redistributed into OSPF with a metric-type 1 and N2 is redistributed with a metric-type 2. If we follow the routes as they flow from Area 1 to Area 0, the cost to reach N2 as seen from RTB or RTC will always be x . The internal cost along the way is not considered. On the other hand, the cost to reach N1 is incremented by the internal cost. The cost is $x+y$ as seen from RTB and $x+y+z$ as seen from RTC. Type 2 routes are preferred over type 1 routes in case two same cost routes exist to the destination. The default is type 2.

Example:



Suppose we added two static routes pointing to E0 on RTC: 16.16.16.0 255.255.255.0 (the /24 notation indicates a 24 bit mask starting from the far left) and 128.213.0.0 255.255.0.0. The following shows the different

behaviors when different parameters are used in the redistribute command on RTC:

RTC#

```
interface Ethernet0
 ip address 203.250.14.2 255.255.255.0

interface Serial1
 ip address 203.250.15.1 255.255.255.252

router ospf 10
 redistribute static
 network 203.250.15.0 0.0.0.255 area 2
 network 203.250.14.0 0.0.0.255 area 0

ip route 16.16.16.0 255.255.255.0 Ethernet0
ip route 128.213.0.0 255.255.0.0 Ethernet0
```

RTE#

```
interface Serial0
 ip address 203.250.15.2 255.255.255.252

router ospf 10
 network 203.250.15.0 0.0.0.255 area 2
```

The following is the output of sh ip route on RTE:

```
RTE#sh ip route
Codes: C - connected, S - static, I - IGRP, R - RIP, M - mobile, B - BGP
       D - EIGRP, EX - EIGRP external, O - OSPF, IA - OSPF inter area
       E1 - OSPF external type 1, E2 - OSPF external type 2, E - EGP
       i - IS-IS, L1 - IS-IS level-1, L2 - IS-IS level-2, * - candidate
default
```

Gateway of last resort is not set

```
      203.250.15.0 255.255.255.252 is subnetted, 1 subnets
C       203.250.15.0 is directly connected, Serial0
O IA 203.250.14.0 [110/74] via 203.250.15.1, 00:02:31, Serial0
O E2 128.213.0.0 [110/20] via 203.250.15.1, 00:02:32, Serial0
```

Note that the only external route that has appeared is 128.213.0.0, because we did not use the "subnet" keyword. Remember that if the "subnet" keyword is not used, only routes that are not subnetted will be redistributed. In our case 16.16.16.0 is a class A route that is subnetted and it did not get redistributed. Since the "metric" keyword was not used (or a "default-metric" statement under router OSPF), the cost allocated to the external route is 20 (the default is 1 for bgp). If we use the following:

```
redistribute static metric 50 subnets
```

```
RTE#sh ip route
Codes: C - connected, S - static, I - IGRP, R - RIP, M - mobile, B - BGP
       D - EIGRP, EX - EIGRP external, O - OSPF, IA - OSPF inter area
       E1 - OSPF external type 1, E2 - OSPF external type 2, E - EGP
       i - IS-IS, L1 - IS-IS level-1, L2 - IS-IS level-2, * - candidate
default
```

Gateway of last resort is not set

```
16.0.0.0 255.255.255.0 is subnetted, 1 subnets
O E2 16.16.16.0 [110/50] via 203.250.15.1, 00:00:02, Serial0
203.250.15.0 255.255.255.252 is subnetted, 1 subnets
C 203.250.15.0 is directly connected, Serial0
O IA 203.250.14.0 [110/74] via 203.250.15.1, 00:00:02, Serial0
O E2 128.213.0.0 [110/50] via 203.250.15.1, 00:00:02, Serial0
```

Note that 16.16.16.0 has shown up now and the cost to external routes is 50. Since the external routes are of type 2 (E2), the internal cost has not been added. Suppose now, we change the type to E1:

redistribute static metric 50 metric-type 1 subnets

```
RTE#sh ip route
Codes: C - connected, S - static, I - IGRP, R - RIP, M - mobile, B - BGP
       D - EIGRP, EX - EIGRP external, O - OSPF, IA - OSPF inter area
       E1 - OSPF external type 1, E2 - OSPF external type 2, E - EGP
       i - IS-IS, L1 - IS-IS level-1, L2 - IS-IS level-2, * - candidate
default
```

Gateway of last resort is not set

```
16.0.0.0 255.255.255.0 is subnetted, 1 subnets
O E1 16.16.16.0 [110/114] via 203.250.15.1, 00:04:20, Serial0
203.250.15.0 255.255.255.252 is subnetted, 1 subnets
C 203.250.15.0 is directly connected, Serial0
O IA 203.250.14.0 [110/74] via 203.250.15.1, 00:09:41, Serial0
O E1 128.213.0.0 [110/114] via 203.250.15.1, 00:04:21, Serial0
```

Note that the type has changed to E1 and the cost has been incremented by the internal cost of S0 which is 64, the total cost is 64+50=114.

Assume that we add a route map to RTC's configuration, we will get the following:

```
RTC#
```

```
interface Ethernet0
 ip address 203.250.14.2 255.255.255.0

interface Serial1
 ip address 203.250.15.1 255.255.255.252
```

```
router ospf 10
redistribute static metric 50 metric-type 1 subnets route-map STOPUPDATE
```

```

network 203.250.15.0 0.0.0.255 area 2
network 203.250.14.0 0.0.0.255 area 0

ip route 16.16.16.0 255.255.255.0 Ethernet0
ip route 128.213.0.0 255.255.0.0 Ethernet0

access-list 1 permit 128.213.0.0 0.0.255.255

route-map STOPUPDATE permit 10
  match ip address 1

```

The route map above will only permit 128.213.0.0 to be redistributed into OSPF and will deny the rest. This is why 16.16.16.0 does not show up in RTE's routing table anymore.

```

RTE#sh ip rou
Codes: C - connected, S - static, I - IGRP, R - RIP, M - mobile, B - BGP
       D - EIGRP, EX - EIGRP external, O - OSPF, IA - OSPF inter area
       E1 - OSPF external type 1, E2 - OSPF external type 2, E - EGP
       i - IS-IS, L1 - IS-IS level-1, L2 - IS-IS level-2, * - candidate
default

```

Gateway of last resort is not set

```

      203.250.15.0 255.255.255.252 is subnetted, 1 subnets
C       203.250.15.0 is directly connected, Serial0
O IA   203.250.14.0 [110/74] via 203.250.15.1, 00:00:04, Serial0
O E1   128.213.0.0 [110/114] via 203.250.15.1, 00:00:05, Serial0

```

15.0 Redistributing OSPF into other protocols

15.1 Use of a valid metric

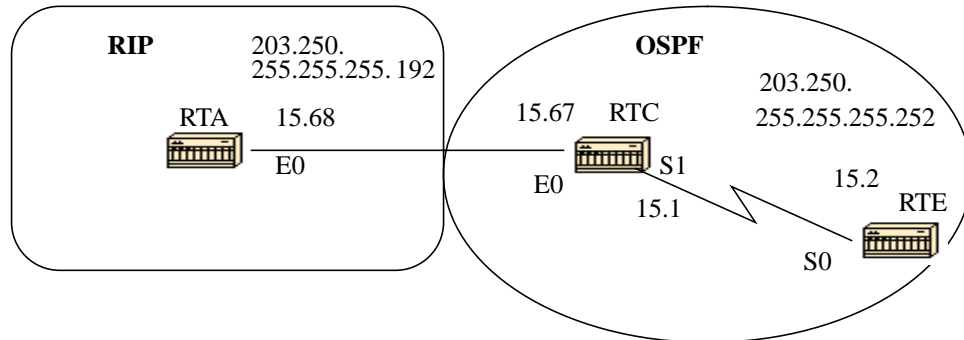
Whenever you redistribute OSPF into other protocols, you have to respect the rules of those protocols. In particular, the metric applied should match the metric used by that protocol. For example, the RIP metric is a hop count ranging between 1 and 16, where 1 indicates that a network is one hop away and 16 indicates that the network is unreachable. On the other hand IGRP and EIGRP require a metric of the form:

default-metric *bandwidth delay reliability loading mtu*

15.2 VLSM

Another issue to consider is VLSM (Variable Length Subnet Guide)(Appendix C). OSPF can carry multiple subnet information for the same major net, but other protocols such as RIP and IGRP (EIGRP is OK with VLSM) cannot. If the same major net crosses the boundaries of an OSPF and RIP domain, VLSM information redistributed into RIP or IGRP will be lost and

static routes will have to be configured in the RIP or IGRP domains. The following example illustrates this problem:



In the above diagram, RTE is running OSPF and RTA is running RIP. RTC is doing the redistribution between the two protocols. The problem is that the class C network 203.250.15.0 is variably subnetted, it has two different masks 255.255.255.252 and 255.255.255.192. Let us look at the configuration and the routing tables of RTE and RTA:

RTA#

```
interface Ethernet0
 ip address 203.250.15.68 255.255.255.192

router rip
 network 203.250.15.0
```

RTC#

```
interface Ethernet0
 ip address 203.250.15.67 255.255.255.192

interface Serial1
 ip address 203.250.15.1 255.255.255.252

router ospf 10
 redistribute rip metric 10 subnets
 network 203.250.15.0 0.0.0.255 area 0
```

```
router rip
 redistribute ospf 10 metric 2
 network 203.250.15.0
```

RTE#sh ip rou

```
Codes: C - connected, S - static, I - IGRP, R - RIP, M - mobile, B - BGP
       D - EIGRP, EX - EIGRP external, O - OSPF, IA - OSPF inter area
       E1 - OSPF external type 1, E2 - OSPF external type 2, E - EGP
```

```
i - IS-IS, L1 - IS-IS level-1, L2 - IS-IS level-2, * - candidate
default
```

Gateway of last resort is not set

```
203.250.15.0 is variably subnetted, 2 subnets, 2 masks
C    203.250.15.0 255.255.255.252 is directly connected, Serial0
O    203.250.15.64 255.255.255.192
     [110/74] via 203.250.15.1, 00:15:55, Serial0
```

```
RTA#sh ip route
```

```
Codes: C - connected, S - static, I - IGRP, R - RIP, M - mobile, B - BGP
        D - EIGRP, EX - EIGRP external, O - OSPF, IA - OSPF inter area
        E1 - OSPF external type 1, E2 - OSPF external type 2, E - EGP
        i - IS-IS, L1 - IS-IS level-1, L2 - IS-IS level-2, * - candidate
default
```

Gateway of last resort is not set

```
203.250.15.0 255.255.255.192 is subnetted, 1 subnets
C    203.250.15.64 is directly connected, Ethernet0
```

Note that RTE has recognized that 203.250.15.0 has two subnets while RTA thinks that it has only one subnet (the one configured on the interface). Information about subnet 203.250.15.0 255.255.255.252 is lost in the RIP domain. In order to reach that subnet, a static route needs to be configured on RTA:

```
RTA#
```

```
interface Ethernet0
 ip address 203.250.15.68 255.255.255.192
```

```
router rip
 network 203.250.15.0
```

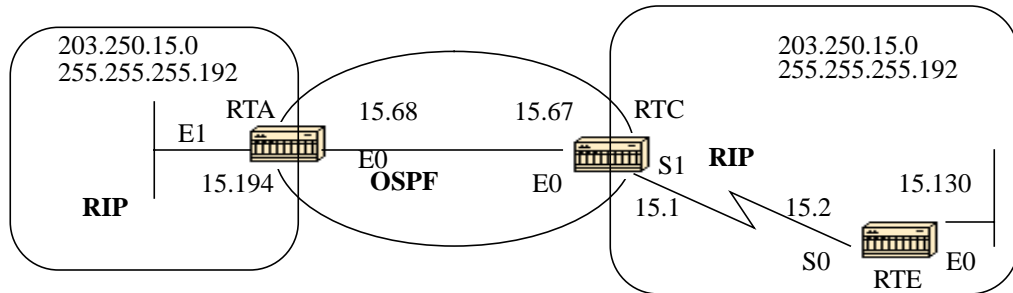
```
ip route 203.250.15.0 255.255.255.0 203.250.15.67
```

This way RTA will be able to reach the other subnets.

15.3 Mutual Redistribution

Mutual redistribution between protocols should be done very carefully and in a controlled manner. Incorrect configuration could lead to potential looping of routing information. A rule of thumb for mutual redistribution is **not** to allow information learned from a protocol to be injected back into the same protocol. Passive interfaces and distribute lists should be applied on the redistributing routers. Filtering information with link-state protocols such as OSPF is a tricky business. **Distribute-list out** works on the ASBR to filter redistributed routes into other pro-

tocols. **Distribute-list in** works on any router to prevent routes from being put in the routing table, but it does not prevent link-state packets from being propagated, downstream routers would still have the routes. It is better to avoid OSPF filtering as much as possible if filters can be applied on the other protocols to prevent loops.



To illustrate, suppose RTA, RTC, and RTE are running RIP. RTC and RTA are also running OSPF. Both RTC and RTA are doing redistribution between RIP and OSPF. Let us assume that you do not want the RIP coming from RTE to be injected into the OSPF domain so you put a passive interface for RIP on E0 of RTC. However, you have allowed the RIP coming from RTA to be injected into OSPF. Here is the outcome (DO NOT USE THE FOLLOWING CONFIGURATION):

```
RTE#

interface Ethernet0
ip address 203.250.15.130 255.255.255.192

interface Serial0
ip address 203.250.15.2 255.255.255.192

router rip
network 203.250.15.0

RTC#

interface Ethernet0
ip address 203.250.15.67 255.255.255.192

interface Serial1
ip address 203.250.15.1 255.255.255.192

router ospf 10
redistribute rip metric 10 subnets
network 203.250.15.0 0.0.0.255 area 0

router rip
redistribute ospf 10 metric 2
passive-interface Ethernet0
```

```
network 203.250.15.0
```

```
RTA#
```

```
interface Ethernet0  
ip address 203.250.15.68 255.255.255.192
```

```
router ospf 10  
redistribute rip metric 10 subnets  
network 203.250.15.0 0.0.0.255 area 0
```

```
router rip  
redistribute ospf 10 metric 1  
network 203.250.15.0
```

```
RTC#sh ip rou
```

```
Codes: C - connected, S - static, I - IGRP, R - RIP, M - mobile, B - BGP  
D - EIGRP, EX - EIGRP external, O - OSPF, IA - OSPF inter area  
E1 - OSPF external type 1, E2 - OSPF external type 2, E - EGP  
i - IS-IS, L1 - IS-IS level-1, L2 - IS-IS level-2, * - candidate  
default
```

```
Gateway of last resort is not set
```

```
203.250.15.0 255.255.255.192 is subnetted, 4 subnets  
C 203.250.15.0 is directly connected, Serial1  
C 203.250.15.64 is directly connected, Ethernet0  
R 203.250.15.128 [120/1] via 203.250.15.68, 00:01:08, Ethernet0  
 [120/1] via 203.250.15.2, 00:00:11, Serial1  
O 203.250.15.192 [110/20] via 203.250.15.68, 00:21:41, Ethernet0
```

Note that RTC has two paths to reach 203.250.15.128 subnet: Serial 1 and Ethernet 0 (E0 is obviously the wrong path). This happened because RTC gave that entry to RTA via OSPF and RTA gave it back via RIP because RTA did not learn it via RIP. This example is a very small scale of loops that can occur because of an incorrect configuration. In large networks this situation gets even more aggravated.

In order to fix the situation in our example, you could stop RIP from being sent on RTA's Ethernet 0 via a passive interface. This might not be suitable in case some routers on the Ethernet are RIP only routers. In this case, you could allow RTC to send RIP on the Ethernet; this way RTA will not send it back on the wire because of split horizon (this might not work on NBMA media if split horizon is off). Split horizon does not

allow updates to be sent back on the same interface they were learned from (via the same protocol). Another good method is to apply distribute-lists on RTA to deny subnets learned via OSPF from being put back into RIP on the Ethernet. The latter is the one we will be using:

```
RTA#  
  
interface Ethernet0  
  ip address 203.250.15.68 255.255.255.192  
  
router ospf 10  
  redistribute rip metric 10 subnets  
  network 203.250.15.0 0.0.0.255 area 0  
  
router rip  
  redistribute ospf 10 metric 1  
  network 203.250.15.0  
  distribute-list 1 out ospf 10
```

And the output of RTC's routing table would be:

```
RTF#sh ip route  
Codes: C - connected, S - static, I - IGRP, R - RIP, M - mobile, B - BGP  
        D - EIGRP, EX - EIGRP external, O - OSPF, IA - OSPF inter area  
        E1 - OSPF external type 1, E2 - OSPF external type 2, E - EGP  
        i - IS-IS, L1 - IS-IS level-1, L2 - IS-IS level-2, * - candidate  
default  
  
Gateway of last resort is not set  
  
      203.250.15.0 255.255.255.192 is subnetted, 4 subnets  
C       203.250.15.0 is directly connected, Serial1  
C       203.250.15.64 is directly connected, Ethernet0  
R       203.250.15.128 [120/1] via 203.250.15.2, 00:00:19, Serial1  
O       203.250.15.192 [110/20] via 203.250.15.68, 00:21:41, Ethernet0
```

16.0 Injecting defaults into OSPF

An autonomous system boundary router (ASBR) can be forced to generate a default route into the OSPF domain. As discussed earlier, a router becomes an ASBR whenever routes are redistributed into an OSPF domain. However, an ASBR does not, by default, generate a default route into the OSPF routing domain.

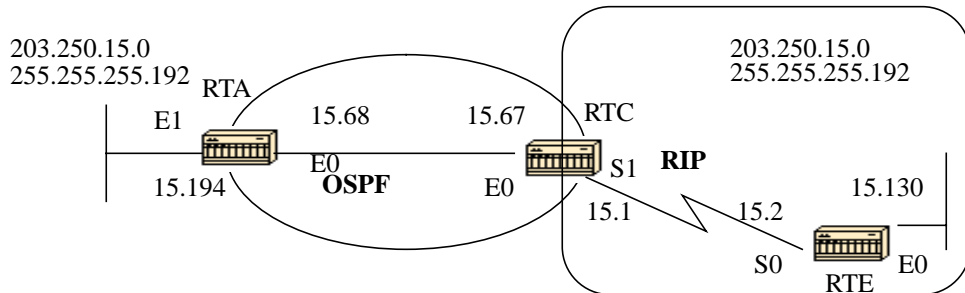
To have OSPF generate a default route use the following:

```
default-information originate [always] [metric metric-value] [metric-  
type type-value] [route-map map-name]
```

There are two ways to generate a default. The first is to advertise 0.0.0.0 inside the domain, but only if the ASBR itself already has a default route. The second is to advertise 0.0.0.0 regardless whether the ASBR has a default route. The latter can be set by adding the keyword "always". You should be careful when using the "always" keyword. If your router advertises a default (0.0.0.0) inside the domain and does not have a default itself or a path to reach the destinations, routing will be broken.

The metric and metric type are the cost and type (E1 or E2) assigned to the default route. The route map specifies the set of conditions that need to be satisfied in order for the default to be generated.

Example:



Assume that RTE is injecting a default-route 0.0.0.0 into RIP. RTC will have a gateway of last resort of 203.250.15.2. RTC will not propagate the default to RTA until we configure RTC with a **default-information originate** command.

```
RTC#sh ip route
```

```
Codes: C - connected, S - static, I - IGRP, R - RIP, M - mobile, B - BGP
       D - EIGRP, EX - EIGRP external, O - OSPF, IA - OSPF inter area
       E1 - OSPF external type 1, E2 - OSPF external type 2, E - EGP
       i - IS-IS, L1 - IS-IS level-1, L2 - IS-IS level-2, * - candidate
default
```

Gateway of last resort is 203.250.15.2 to network 0.0.0.0

```
203.250.15.0 255.255.255.192 is subnetted, 4 subnets
C       203.250.15.0 is directly connected, Serial1
C       203.250.15.64 is directly connected, Ethernet0
R       203.250.15.128 [120/1] via 203.250.15.2, 00:00:17, Serial1
O       203.250.15.192 [110/20] via 203.250.15.68, 2d23, Ethernet0
R*    0.0.0.0 0.0.0.0 [120/1] via 203.250.15.2, 00:00:17, Serial1
       [120/1] via 203.250.15.68, 00:00:32, Ethernet0
```

```
RTC#
```

```
interface Ethernet0
 ip address 203.250.15.67 255.255.255.192
```

```
interface Serial1
 ip address 203.250.15.1 255.255.255.192
```

```
router ospf 10
 redistribute rip metric 10 subnets
 network 203.250.15.0 0.0.0.255 area 0
 default-information originate metric 10
```

```
router rip
 redistribute ospf 10 metric 2
 passive-interface Ethernet0
 network 203.250.15.0
```

```
RTA#sh ip route
```

```
Codes: C - connected, S - static, I - IGRP, R - RIP, M - mobile, B - BGP
       D - EIGRP, EX - EIGRP external, O - OSPF, IA - OSPF inter area
       E1 - OSPF external type 1, E2 - OSPF external type 2, E - EGP
       i - IS-IS, L1 - IS-IS level-1, L2 - IS-IS level-2, * - candidate
       default
```

```
Gateway of last resort is 203.250.15.67 to network 0.0.0.0
```

```
      203.250.15.0 255.255.255.192 is subnetted, 4 subnets
O       203.250.15.0 [110/74] via 203.250.15.67, 2d23, Ethernet0
C       203.250.15.64 is directly connected, Ethernet0
O E2   203.250.15.128 [110/10] via 203.250.15.67, 2d23, Ethernet0
C       203.250.15.192 is directly connected, Ethernet1
O*E2  0.0.0.0 0.0.0.0 [110/10] via 203.250.15.67, 00:00:17, Ethernet0
```

Note that RTA has learned 0.0.0.0 as an external route with metric 10. The gateway of last resort is set to 203.250.15.67 as expected.

17.0 OSPF Design Tips

The OSPF RFC (1583) did not specify any guidelines for the number of routers in an area or number the of neighbors per segment or what is the best way to architect a network. Different people have different approaches to designing OSPF networks. The important thing to remember is that any protocol can fail under pressure. The idea is not to challenge the protocol but rather to work with it in order to get the best behavior. The following are a list of things to consider.

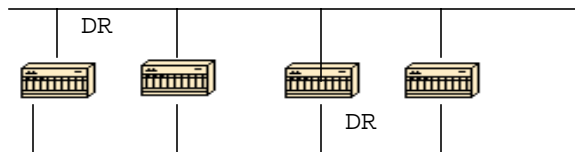
17.1 Number of routers per area

Experience has shown that 40 to 50 routers per area is the upper bound for OSPF. That does not mean that networks with 60 or 70 routers in an area won't function, but why experiment with stability if you don't need to. One of the main problems is that administrators let their backbone area grow too large. Try to outline the logical view of the network from the start, and remember that it doesn't hurt to start creating that other area.

17.2 Number of neighbors

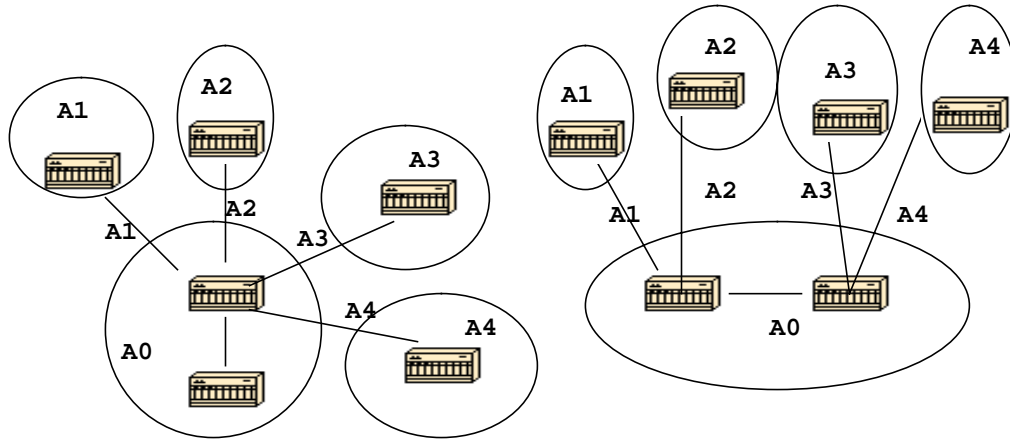
The number of routers connected to the same LAN is also important. Each LAN has a DR and BDR that build adjacencies with all other routers. The fewer neighbors that exist on the LAN, the smaller the number of adjacencies a DR or BDR have to build. That depends on how much power your router has. You could always change the OSPF priority to select your DR. Also if possible, try to avoid having the same router be the DR on more than one segment. If DR selection is based on the highest RID, then one router could accidentally become a DR over all segments it is connected to. This router would be doing extra effort while other routers are idle.

More neighbors = more work for DR/BDR



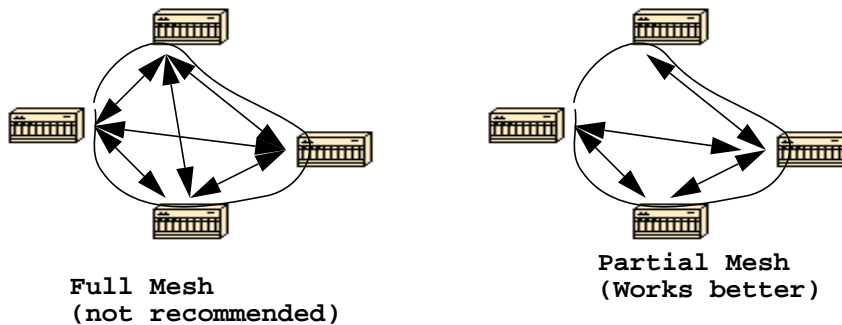
17.3 Number of areas per ABR

ABRs will keep a copy of the database for all areas they service. If a router is connected to five areas for example, it will have to keep a list of five different databases. It is better not to overload an ABR, you could always spread the areas over other routers. The ideal design is to have each ABR connected to two areas only, the backbone and another area with three areas being the upper limit. The following diagram shows the difference between one ABR holding five different databases (including area 0) and two ABRs holding three databases each. Again, these are just guidelines, the more areas you configure per ABR the lower performance you get. In some cases, the lower performance can be tolerated.



17.4 Full mesh vs. Partial Mesh

Non Broadcast Multi-Access (NBMA) clouds such as Frame Relay or X.25, are always a challenge. The combination of low bandwidth and too many link-states is a recipe for problems. A partial mesh topology has proven to behave much better than a full mesh. A carefully laid out point-to-point or point-to-multipoint network works much better than multipoint networks that have to deal with DR issues.



17.5 Memory issues

It is not easy to figure out the memory needed for a particular OSPF configuration. Memory issues usually come up when too many external routes are injected in the OSPF domain. A backbone area with 40 routers and a default route to the outside world would have less memory issues compared with a backbone area with 4 routers and 33,000 external routes injected into OSPF.

Memory could also be conserved by using a good OSPF design. Summarization at the area border routers and use of stub areas could further minimize the number of routes exchanged.

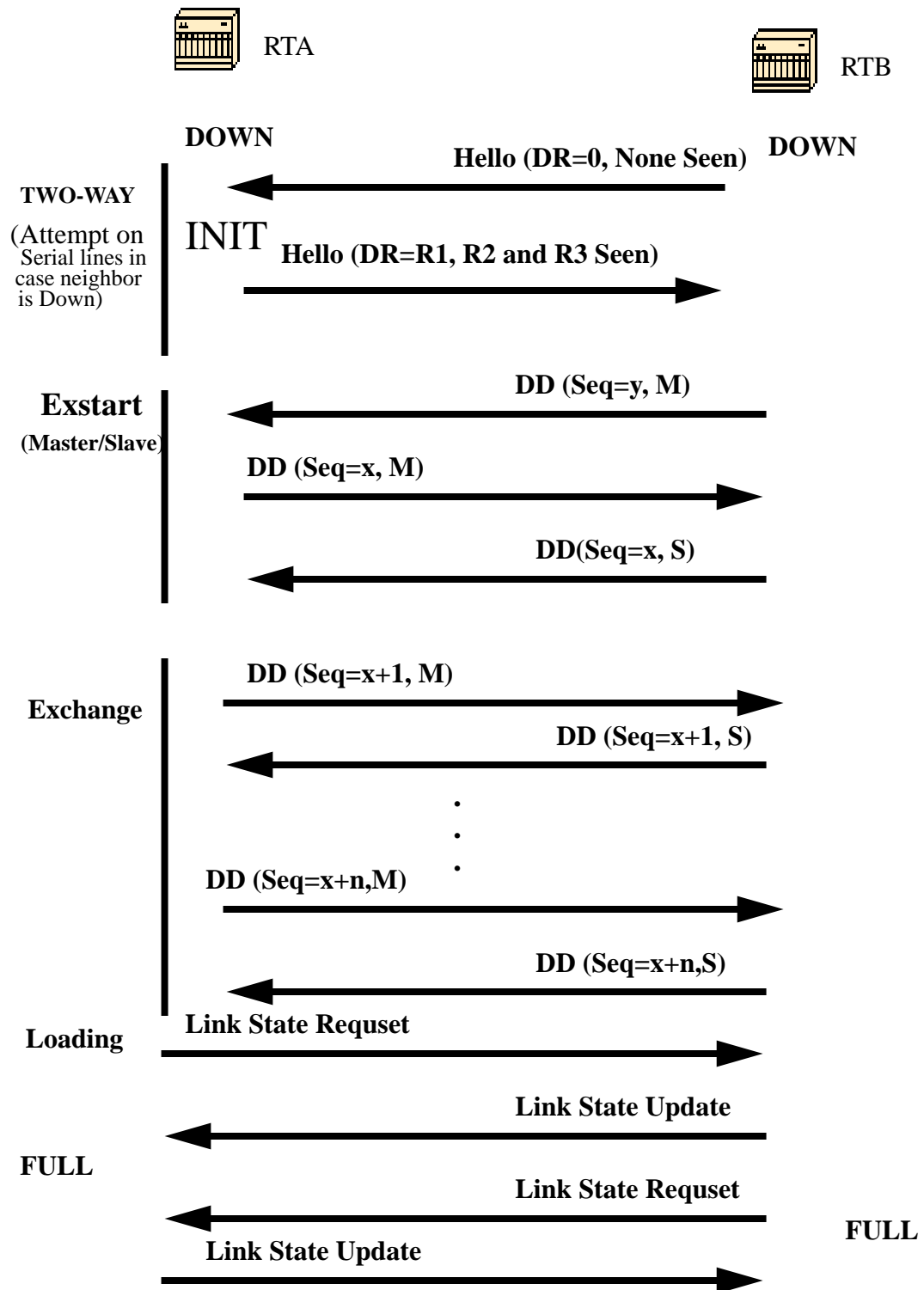
The total memory used by OSPF is the sum of the memory used in the routing table (**sh ip route summary**) and the memory used in the link-state database. The following numbers are a "rule of thumb" estimate. Each entry in the routing table will consume between approximately 200 and 280 bytes plus 44 bytes per extra path. Each LSA will consume a 100 byte overhead plus the size of the actual link state advertisement, possibly another 60 to 100 bytes (For router links, this depends on the number of interfaces on the router). This should be added to memory used by other processes and by the IOS itself. If you really want to know the exact number, you can do a **sh memory** with and without OSPF being turned on. The difference in the processor memory used would be the answer (keep a backup copy of the configs).

Normally, a routing table with < 500K bytes could be accommodated with 2 to 4Meg of RAM; large networks > 500K may need 8 to 16 Meg (Maybe 32 to 64 Meg if full routes are injected from the Internet).

18.0 Summary

The OSPF protocol defined in RFC 1583, provides a high functionality open protocol that allows multiple vendor networks to communicate using the TCP/IP protocol family. Some of the benefits of OSPF are, fast convergence, VLSM, authentication, hierarchical segmentation, route summarization, and aggregation which are needed to handle large and complicated networks.

19.0 APPENDIX A: Link-State Database Synchronization



In the above diagram, routers on the same segment go through a series of states before forming a successful adjacency. The neighbor and DR elec-

tion are done via the Hello protocol. Whenever a router sees itself in his neighbor's Hello packet, the state transitions to "2-Way". At that point DR and BDR election is performed on multi-access segments. A router continues forming an adjacency with a neighbor if either of the two routers is a DR or BDR or they are connected via a point-to-point or virtual link.

In the **Exstart** state, the two neighbors form a Master/Slave relationship where they agree on an initial **sequence number**. The sequence number is used to detect old or duplicate Link-State Advertisements (LSA).

In the **Exchange** state, Database Description Packets (DD) will get exchanged. These are abbreviated link-state advertisements in the form of link-state headers. The header supplies enough information to identify a link. The master node sends DD packets which are acknowledged with DD packets from the slave node. All adjacencies in exchange state or greater are used by the flooding procedure. These adjacencies are fully capable of transmitting and receiving all types of OSPF routing protocol packets.

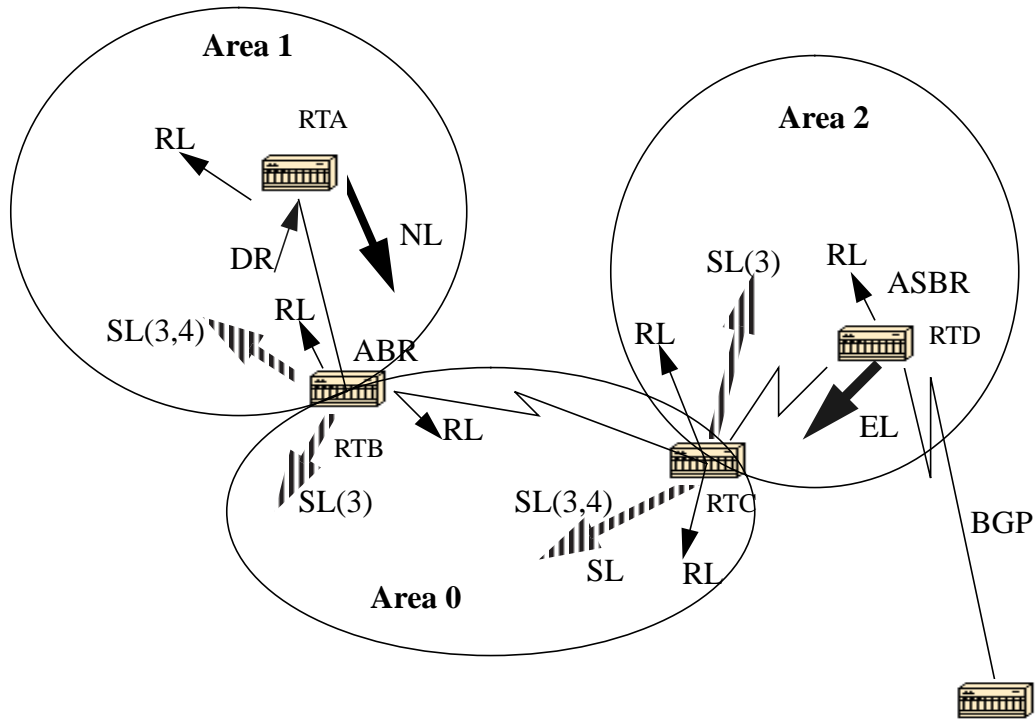
In the **Loading** state, link-state request packets are sent to neighbors, asking for more recent advertisements that have been discovered but not yet received. Each router builds a list of required LSAs to bring its adjacency up to date. A **Retransmission** List is maintained to make sure that every LSA is acknowledged. To specify the number of seconds between link-state advertisement retransmissions for the adjacency you can use: **ip ospf retransmit-interval seconds**.

Link-state update packets are sent in response to request packets. The link-state update packets will be flooded over all adjacencies.

In the **Full** state, the neighbor routers are fully adjacent. The databases for a common area are an exact match between adjacent routers.

Each LSA has an **age** field that gets periodically incremented while it is contained in the database or as it gets flooded throughout the area. When an LSA reaches a **Maxage** it gets flushed from the database if that LSA is not on any neighbors retransmission list.

19.1 Link-State Advertisements



Link-state advertisements are broken into five types. **Router Links** (RL) are generated by all routers. These links describe the state of the router interfaces inside a particular area. These links are only flooded inside the router's area. **Network Links** (NL) are generated by a DR of a particular segment; these are an indication of the routers connected to that segment. **Summary Links** (SL) are the inter-area links (type 3); these links will list the networks inside other areas but still belonging to the autonomous system. Summary links are injected by the ABR from the backbone into other areas and from other areas into the backbone. These links are used for aggregation between areas. Other types of summary links are the **asbr-summary** links. These are type 4 links that point to the ASBR. This is to make sure that all routers know the way to exit the autonomous system. The last type is type 5, **External Links** (EL), these are injected by the ASBR into the domain. These links are flooded over the whole area except into stub areas.

The above diagram illustrates the different link types. RTA generates a router link (RL) into area 1, and it also generates a network link (NL) since it happens to be the DR on that particular segment. RTB is an ABR, and it generates RL into area 1 and area 0. RTB also generates summary links into area 1 and area 0. These links are the list of networks that are interchanged between the two areas. An ASBR summary link is also injected by RTB into area 1. This is an indication of the existence of

RTD, the autonomous system border router. Similarly RTC, which is another ABR, generates RL for area 0 and area 2, and a SL (3) into area 2 (since it is not announcing any ASBR), and a SL (3,4) into area 0 announcing RTD. RTD generates a RL for area 2 and generates an EL for external routes learned via BGP. The external routers will be flooded all over the domain.

The following table is a summary of the link state advertisements.

LINK STATE ADVERTISEMENTS

LS type	Advertisement Description
1	Router Link advertisements. Generated by each router for each area it belongs to. They describe the states of the router's link to the area. These are only flooded within a particular area.
2	Network Link advertisements. Generated by Designated Routers. They describe the set of routers attached to a particular network. Flooded in the area that contains the network.
3 or 4	Summary Link advertisements. Generated by Area Border routers. They describe inter-area (between areas) routes. Type 3 describes routes to networks, also used for aggregating routes. Type 4 describes routes to ASBR.
5	AS external link advertisements. Originated by ASBR. They describe routes to destinations external to the AS. Flooded all over except stub areas.

If you look at the OSPF database in detail, using `sh ip ospf dd`, you will see different keywords such as Link-Data, Link-ID, and Link-state ID. These terms become confusing as the value of each depends on the link state type and the link-type. We will go over this terminology and will provide a detailed example on the OSPF database as seen from the router.

The Link-State ID basically defines the identity of the link-state depending on the LS type. **Router Links** are identified by the router ID (**RID**) of the router that originated the advertisement. **Network Links** are identified by the relative **IP address of the DR**. This makes sense because Network Links are originated by the Designated Router. **Summary Links** (type 3) are identified by the **IP network numbers of the destinations** they are pointing at. **ASBR Summary Links** (Summary Links type 4) are identified by the **RID of the ASBR**. Finally, **External Links** are identified by the **IP network numbers of the external destinations** they are pointing at. The following table summarizes this information:

LS type	Link State ID (In the high level view of the database when referencing a router this is called Link ID)
1	The originating Router's Router ID (RID).
2	The IP interface address of the network's Designated Router.
3	The destination network number.
4	The router ID of the described AS boundary router.
5	The external network number.

Next, we will describe the different links available:

Stub network links: This term has nothing to do with Stub areas. A stub segment is a segment that has one router only attached to it. An Ethernet or Token Ring segment that has one attached router is considered a link to a stub network. A loopback interface is also considered a link to stub network with a 255.255.255.255 mask (Host route).

Point-to-point links: These could be physical or logical (subinterfaces) point-to-point serial link connections. These links could be numbered (an IP address is configured on the link) or unnumbered.

Transit links: These are interfaces connected to networks that have more than one router attached, hence the name transit.

Virtual links: These are logical links that connect areas that do not have physical connections to the backbone. Virtual links are treated as numbered point-to-point links.

The **link-ID** is an identification of the link itself. This is different for each link type. A **transit link** is identified by the **IP address of the DR** on that link. A **numbered point-to-point link** is identified by the **RID of the neighbor router** on the point-to-point link. **Virtual links are identical to point-to-point links**. Finally, links to **stub networks** are identified by the **IP address of the interface to the stub network**. The following table summarizes this information:

Link type	Link ID (This applies to individual Links)
Point-to-Point	Neighbor Router ID
Link to transit network	Interface address of DR

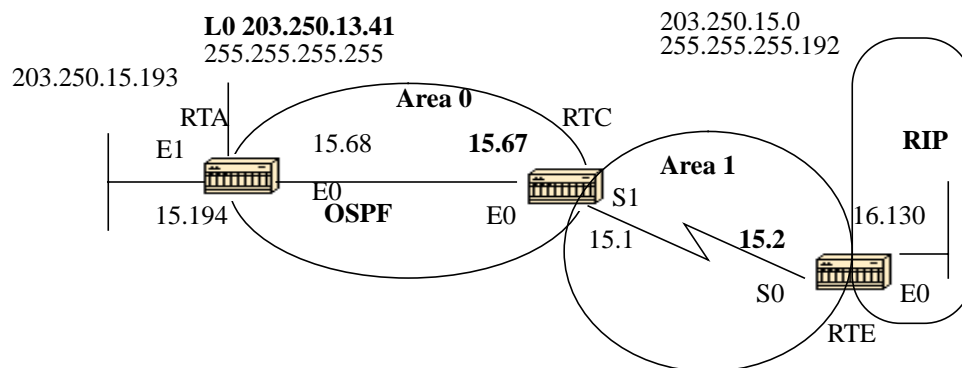
Link type	Link ID (This applies to individual Links)
Link to stub network (In case of loopback mask is 255.255.255.255)	Network/subnet number
Virtual Link	Neighbor Router ID

The **Link Data** is the IP address of the link, except for stub network where the link data is the **network mask**.

Link type	Link Data
Stub network	Network Mask
Other networks (applies to router links only)	Router's associated IP interface address

Finally, an **Advertising Router** is the RID of the router that has sent the LSA.

19.2 OSPF database example



Given the above topology, and the following configs, and the IP route tables, let us look at different ways of understanding the OSPF database.

```
RTA#
interface Loopback0
 ip address 203.250.13.41 255.255.255.255
```

```
interface Ethernet0
 ip address 203.250.15.68 255.255.255.192
```

```
interface Ethernet1
 ip address 203.250.15.193 255.255.255.192
```

```
router ospf 10
 network 203.250.0.0 0.0.255.255 area 0
```

```
RTA#sh ip route
Codes: C - connected, S - static, I - IGRP, R - RIP, M - mobile, B - BGP
       D - EIGRP, EX - EIGRP external, O - OSPF, IA - OSPF inter area
       E1 - OSPF external type 1, E2 - OSPF external type 2, E - EGP
       i - IS-IS, L1 - IS-IS level-1, L2 - IS-IS level-2, * - candidate
default
```

```
Gateway of last resort is 203.250.15.67 to network 0.0.0.0
```

```
      203.250.16.0 255.255.255.192 is subnetted, 1 subnets
O E2   203.250.16.128 [110/10] via 203.250.15.67, 00:00:50, Ethernet0
      203.250.13.0 255.255.255.255 is subnetted, 1 subnets
C      203.250.13.41 is directly connected, Loopback0
      203.250.15.0 255.255.255.192 is subnetted, 3 subnets
O IA   203.250.15.0 [110/74] via 203.250.15.67, 00:00:50, Ethernet0
C      203.250.15.64 is directly connected, Ethernet0
C      203.250.15.192 is directly connected, Ethernet1
O*E2  0.0.0.0 0.0.0.0 [110/10] via 203.250.15.67, 00:00:50, Ethernet0
```

```
RTE#
ip subnet-zero
```

```
interface Ethernet0
 ip address 203.250.16.130 255.255.255.192
```

```
interface Serial0
 ip address 203.250.15.2 255.255.255.192
```

```
router ospf 10
 redistribute rip metric 10 subnets
 network 203.250.15.0 0.0.0.63 area 1
 default-information originate metric 10
```

```
router rip
 network 203.250.16.0
```

```
ip route 0.0.0.0 0.0.0.0 Ethernet0
```

```
RTE#sh ip route
Codes: C - connected, S - static, I - IGRP, R - RIP, M - mobile, B - BGP
       D - EIGRP, EX - EIGRP external, O - OSPF, IA - OSPF inter area
       E1 - OSPF external type 1, E2 - OSPF external type 2, E - EGP
```

```
    i - IS-IS, L1 - IS-IS level-1, L2 - IS-IS level-2, * - candidate
default
```

```
Gateway of last resort is 0.0.0.0 to network 0.0.0.0
```

```
    203.250.16.0 255.255.255.192 is subnetted, 1 subnets
C      203.250.16.128 is directly connected, Ethernet0
    203.250.13.0 is variably subnetted, 2 subnets, 2 masks
O IA   203.250.13.41 255.255.255.255
        [110/75] via 203.250.15.1, 00:16:31, Serial0
    203.250.15.0 255.255.255.192 is subnetted, 3 subnets
C      203.250.15.0 is directly connected, Serial0
O IA   203.250.15.64 [110/74] via 203.250.15.1, 00:16:31, Serial0
O IA   203.250.15.192 [110/84] via 203.250.15.1, 00:16:31, Serial0
S*    0.0.0.0 0.0.0.0 is directly connected, Ethernet0
```

```
RTC#
ip subnet-zero
```

```
interface Ethernet0
 ip address 203.250.15.67 255.255.255.192
```

```
interface Serial1
 ip address 203.250.15.1 255.255.255.192
```

```
router ospf 10
 network 203.250.15.64 0.0.0.63 area 0
 network 203.250.15.0 0.0.0.63 area 1
```

```
RTF#sh ip route
Codes: C - connected, S - static, I - IGRP, R - RIP, M - mobile, B - BGP
       D - EIGRP, EX - EIGRP external, O - OSPF, IA - OSPF inter area
       E1 - OSPF external type 1, E2 - OSPF external type 2, E - EGP
       i - IS-IS, L1 - IS-IS level-1, L2 - IS-IS level-2, * - candidate
default
```

```
Gateway of last resort is 203.250.15.2 to network 0.0.0.0
```

```
    203.250.16.0 255.255.255.192 is subnetted, 1 subnets
O E2   203.250.16.128 [110/10] via 203.250.15.2, 04:49:05, Serial1
    203.250.13.0 255.255.255.255 is subnetted, 1 subnets
O      203.250.13.41 [110/11] via 203.250.15.68, 04:49:06, Ethernet0
    203.250.15.0 255.255.255.192 is subnetted, 3 subnets
C      203.250.15.0 is directly connected, Serial1
C      203.250.15.64 is directly connected, Ethernet0
O      203.250.15.192 [110/20] via 203.250.15.68, 04:49:06, Ethernet0
O*E2  0.0.0.0 0.0.0.0 [110/10] via 203.250.15.2, 04:49:06, Serial1
```


19.2.1 General view of the database

RTC#sh ip ospf database

OSPF Router with ID (203.250.15.67) (Process ID 10)

Router Link States (Area 1)

Link ID	ADV Router	Age	Seq#	Checksum	Link count
203.250.15.67	203.250.15.67	48	0x80000008	0xB112	2
203.250.16.130	203.250.16.130	212	0x80000006	0x3F44	2

Summary Net Link States (Area 1)

Link ID	ADV Router	Age	Seq#	Checksum
203.250.13.41	203.250.15.67	602	0x80000002	0x90AA
203.250.15.64	203.250.15.67	620	0x800000E9	0x3E3C
203.250.15.192	203.250.15.67	638	0x800000E5	0xA54E

Router Link States (Area 0)

Link ID	ADV Router	Age	Seq#	Checksum	Link count
203.250.13.41	203.250.13.41	179	0x80000029	0x9ADA	3
203.250.15.67	203.250.15.67	675	0x800001E2	0xDD23	1

Net Link States (Area 0)

Link ID	ADV Router	Age	Seq#	Checksum
203.250.15.68	203.250.13.41	334	0x80000001	0xB6B5

Summary Net Link States (Area 0)

Link ID	ADV Router	Age	Seq#	Checksum
203.250.15.0	203.250.15.67	792	0x80000002	0xAEED

Summary ASB Link States (Area 0)

Link ID	ADV Router	Age	Seq#	Checksum
203.250.16.130	203.250.15.67	579	0x80000001	0xF9AF

AS External Link States

Link ID	ADV Router	Age	Seq#	Checksum	Tag
0.0.0.0	203.250.16.130	1787	0x80000001	0x98CE	10
203.250.16.128	203.250.16.130	5	0x80000002	0x93C4	0

This is a general look at the whole OSPF database. The database is listed according to the areas. In this case, we are looking at RTC's database which is an ABR. Both area 1 and area 0's databases are listed. Area 1 is composed of router links and summary links. No network links exist because no DR exists on any of the segments in area 1. No Summary ASBR links exist in area 1 because the only ASBR happens to be in area 0. External links do not belong to any particular area as they are flooded all over. Note that all the links are the cumulative links collected from

all routers in an area.

We will mainly concentrate on the database in area 0. **The Link-ID indicated here is actually the Link-State ID.** This is a representation of the whole router, not a particular link. This is a bit confusing, but just remember that this high level Link-ID (should be Link-State ID) represents the whole router and not just a link.

19.2.2 Router Links

Router Link States (Area 0)

Link ID	ADV Router	Age	Seq#	Checksum	Link count
203.250.13.41	203.250.13.41	179	0x80000029	0x9ADA	3
203.250.15.67	203.250.15.67	675	0x800001E2	0xDD23	1

We will start with the router links. There are two entries listed for 203.250.13.41 and 203.250.15.67, these are the RIDs of the two routers in area 0. The number of links in area 0 for each router is also indicated. RTA has three links to area 0 and RTC has one link. A detailed view of RTC's router links follows:

```
RTC#sh ip ospf database router 203.250.15.67
```

```
OSPF Router with ID (203.250.15.67) (Process ID 10)
```

Router Link States (Area 1)

```
LS age: 1169
Options: (No TOS-capability)
LS Type: Router Links
Link State ID: 203.250.15.67
Advertising Router: 203.250.15.67
LS Seq Number: 80000008
Checksum: 0xB112
Length: 48
Area Border Router
Number of Links: 2

Link connected to: another Router (point-to-point)
(Link ID) Neighboring Router ID: 203.250.16.130
(Link Data) Router Interface address: 203.250.15.1
Number of TOS metrics: 0
TOS 0 Metrics: 64

Link connected to: a Stub Network
(Link ID) Network/subnet number: 203.250.15.0
(Link Data) Network Mask: 255.255.255.192
Number of TOS metrics: 0
TOS 0 Metrics: 64
```

One thing to note here is that OSPF generates an extra stub link for each

point-to-point interface. Do not get confused if you see the link count larger than the number of physical interfaces.

Router Link States (Area 0)

LS age: 1227
Options: (No TOS-capability)
LS Type: Router Links
Link State ID: 203.250.15.67
Advertising Router: 203.250.15.67
LS Seq Number: 80000003
Checksum: 0xA041
Length: 36
Area Border Router
Number of Links: 1

Link connected to: a Transit Network
(Link ID) Designated Router address: 203.250.15.68
(Link Data) Router Interface address: 203.250.15.67
Number of TOS metrics: 0
TOS 0 Metrics: 10

Note that the Link ID is equal to the IP address (not the RID) of the attached DR; in this case it is 203.250.15.68. The Link Data is RTC's own IP address.

19.2.3 Network Links

Net Link States (Area 0)

Link ID	ADV Router	Age	Seq#	Checksum
203.250.15.68	203.250.13.41	334	0x80000001	0xB6B5

One network Link is listed, indicated by the interface IP address (not the RID) of the DR, in this case 203.250.15.68. A detailed view of this entry follows:

RTC#sh ip ospf database network

OSPF Router with ID (203.250.15.67) (Process ID 10)

Net Link States (Area 0)

Routing Bit Set on this LSA
LS age: 1549
Options: (No TOS-capability)
LS Type: Network Links
Link State ID: 203.250.15.68 (address of Designated Router)
Advertising Router: 203.250.13.41
LS Seq Number: 80000002
Checksum: 0xB4B6
Length: 32
Network Mask: 255.255.255.192

Attached Router: 203.250.13.41
Attached Router: 203.250.15.67

Note that the network link lists the RIDs of the routers attached to the transit network; in this case the RIDs of RTA and RTC are listed.

19.2.4 Summary Links

Summary Net Link States (Area 0)

Link ID	ADV Router	Age	Seq#	Checksum
203.250.15.0	203.250.15.67	792	0x80000002	0xAEBD

Area 0 has one summary link represented by the IP network address of the link 203.250.15.0. This link was injected by the ABR RTC from area 1 into area 0. A detailed view of this summary link follows, summary links for area 1 are not listed here:

```
RTC#sh ip ospf database summary (area 1 is not listed)
```

Summary Net Link States (Area 0)

```
LS age: 615
Options: (No TOS-capability)
LS Type: Summary Links(Network)
Link State ID: 203.250.15.0 (summary Network Number)
Advertising Router: 203.250.15.67
LS Seq Number: 80000003
Checksum: 0xACBE
Length: 28
Network Mask: 255.255.255.192 TOS: 0 Metric: 64
```

19.2.5 Summary ASBR Links

Summary ASB Link States (Area 0)

Link ID	ADV Router	Age	Seq#	Checksum
203.250.16.130	203.250.15.67	579	0x80000001	0xF9AF

This is an indication of who the ASBR is. In this case the ASBR is RTE represented by its RID 203.250.16.130. The advertising router for this entry into area 0 is RTC with RID 203.250.15.67. A detailed view of the summary ASBR entry follows:

```
RTC#sh ip ospf database asbr-summary
```

OSPF Router with ID (203.250.15.67) (Process ID 10)

Summary ASB Link States (Area 0)

LS age: 802
Options: (No TOS-capability)
LS Type: Summary Links(AS Boundary Router)
Link State ID: 203.250.16.130 (AS Boundary Router address)
Advertising Router: 203.250.15.67
LS Seq Number: 80000003
Checksum: 0xF5B1
Length: 28
Network Mask: 0.0.0.0 TOS: 0 Metric: 64

19.2.6 External Links

AS External Link States

Link ID	ADV Router	Age	Seq#	Checksum	Tag
0.0.0.0	203.250.16.130	1787	0x80000001	0x98CE	10
203.250.16.128	203.250.16.130	5	0x80000002	0x93C4	0

We have two external Links, the first one is the 0.0.0.0 injected into OSPF via the **default-information originate** command. The other entry is network 203.250.16.128 which is injected into OSPF by redistribution. The router advertising these networks is 203.250.16.130, the RID of RTE. The following is the detailed view of the external routes:

RTC#sh ip o database external

OSPF Router with ID (203.250.15.67) (Process ID 10)

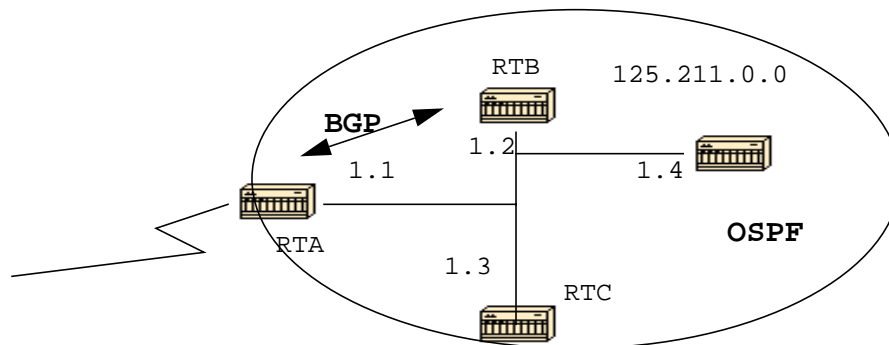
AS External Link States

Routing Bit Set on this LSA
LS age: 208
Options: (No TOS-capability)
LS Type: AS External Link
Link State ID: 0.0.0.0 (External Network Number)
Advertising Router: 203.250.16.130
LS Seq Number: 80000002
Checksum: 0x96CF
Length: 36
Network Mask: 0.0.0.0
Metric Type: 2 (Larger than any link state path)
TOS: 0
Metric: 10
Forward Address: 0.0.0.0
External Route Tag: 10

Routing Bit Set on this LSA
LS age: 226

Options: (No TOS-capability)
LS Type: AS External Link
Link State ID: 203.250.16.128 (External Network Number)
Advertising Router: 203.250.16.130
LS Seq Number: 80000002
Checksum: 0x93C4
Length: 36
Network Mask: 255.255.255.192
Metric Type: 2 (Larger than any link state path)
TOS: 0
Metric: 10
Forward Address: 0.0.0.0
External Route Tag: 0

Please note the forward address. Whenever this address is 0.0.0.0 it indicates that the external routes are reachable via the advertising router, in this case 203.250.16.130. This is why the identity of the ASBR is injected into other areas using ASBR summary links. This forward address is not always 0.0.0.0. In some cases, it could be the IP address of another router on the same segment. The following diagram will illustrate this situation:



In the above situation RTB, is running BGP with RTA, and OSPF with the rest of the domain. RTA is not running OSPF. RTB is redistributing BGP routes into OSPF. According to OSPF, RTB is an ASBR advertising external routes. The forwarding address in this case is set to 125.211.1.1 and not to the advertising router (0.0.0.0) RTB. This makes sense because there is no need to make the extra hop. **An important thing to remember is that routers inside the OSPF domain should be able to reach the forwarding address via OSPF in order for the external routes to be put in the IP routing table. If the forwarding address is reached via some other protocol or not accessible, the external entries would be in the database but not in the IP routing table.**

Another situation would arise if both RTB and RTC are ASBRs (RTC is also running BGP with RTA). In this situation, in order to eliminate the duplication of the effort, one of the two routers will not advertise (will flush) the external routes. The router with the higher RID will win.

19.2.7 The Full Database

Finally, this is a listing of the whole database as an exercise. You should now be able to go over each entry and explain what is going on:

```
RTC#sh ip ospf database router
```

```
OSPF Router with ID (203.250.15.67) (Process ID 10)
```

```
Router Link States (Area 1)
```

```
LS age: 926
Options: (No TOS-capability)
LS Type: Router Links
Link State ID: 203.250.15.67
Advertising Router: 203.250.15.67
LS Seq Number: 80000035
Checksum: 0x573F
Length: 48
Area Border Router
Number of Links: 2
```

```
Link connected to: another Router (point-to-point)
(Link ID) Neighboring Router ID: 203.250.16.130
(Link Data) Router Interface address: 203.250.15.1
Number of TOS metrics: 0
TOS 0 Metrics: 64
```

```
Link connected to: a Stub Network
(Link ID) Network/subnet number: 203.250.15.0
(Link Data) Network Mask: 255.255.255.192
Number of TOS metrics: 0
TOS 0 Metrics: 64
```

```
Routing Bit Set on this LSA
LS age: 958
Options: (No TOS-capability)
LS Type: Router Links
Link State ID: 203.250.16.130
Advertising Router: 203.250.16.130
LS Seq Number: 80000038
Checksum: 0xDA76
Length: 48
AS Boundary Router
Number of Links: 2
```

```
Link connected to: another Router (point-to-point)
(Link ID) Neighboring Router ID: 203.250.15.67
(Link Data) Router Interface address: 203.250.15.2
Number of TOS metrics: 0
TOS 0 Metrics: 64
```

Link connected to: a Stub Network
(Link ID) Network/subnet number: 203.250.15.0
(Link Data) Network Mask: 255.255.255.192
Number of TOS metrics: 0
TOS 0 Metrics: 64

Router Link States (Area 0)

Routing Bit Set on this LSA
LS age: 1107
Options: (No TOS-capability)
LS Type: Router Links
Link State ID: 203.250.13.41
Advertising Router: 203.250.13.41
LS Seq Number: 8000002A
Checksum: 0xC0B0
Length: 60
AS Boundary Router
Number of Links: 3

Link connected to: a Stub Network
(Link ID) Network/subnet number: 203.250.13.41
(Link Data) Network Mask: 255.255.255.255
Number of TOS metrics: 0
TOS 0 Metrics: 1

Link connected to: a Stub Network
(Link ID) Network/subnet number: 203.250.15.192
(Link Data) Network Mask: 255.255.255.192
Number of TOS metrics: 0
TOS 0 Metrics: 10

Link connected to: a Transit Network
(Link ID) Designated Router address: 203.250.15.68
(Link Data) Router Interface address: 203.250.15.68
Number of TOS metrics: 0
TOS 0 Metrics: 10

LS age: 1575
Options: (No TOS-capability)
LS Type: Router Links
Link State ID: 203.250.15.67
Advertising Router: 203.250.15.67
LS Seq Number: 80000028
Checksum: 0x5666
Length: 36
Area Border Router
Number of Links: 1


```
Link connected to: a Transit Network
(Link ID) Designated Router address: 203.250.15.68
(Link Data) Router Interface address: 203.250.15.67
Number of TOS metrics: 0
TOS 0 Metrics: 10
```

RTC#sh ip ospf database network

```
OSPF Router with ID (203.250.15.67) (Process ID 10)
```

```
Net Link States (Area 0)
```

```
Routing Bit Set on this LSA
LS age: 1725
Options: (No TOS-capability)
LS Type: Network Links
Link State ID: 203.250.15.68 (address of Designated Router)
Advertising Router: 203.250.13.41
LS Seq Number: 80000026
Checksum: 0x6CDA
Length: 32
Network Mask: 255.255.255.192
    Attached Router: 203.250.13.41
    Attached Router: 203.250.15.67
```

RTC#sh ip ospf database summary

```
OSPF Router with ID (203.250.15.67) (Process ID 10)
```

```
Summary Net Link States (Area 1)
```

```
LS age: 8
Options: (No TOS-capability)
LS Type: Summary Links(Network)
Link State ID: 203.250.13.41 (summary Network Number)
Advertising Router: 203.250.15.67
LS Seq Number: 80000029
Checksum: 0x42D1
Length: 28
Network Mask: 255.255.255.255 TOS: 0 Metric: 11

LS age: 26
Options: (No TOS-capability)
LS Type: Summary Links(Network)
Link State ID: 203.250.15.64 (summary Network Number)
Advertising Router: 203.250.15.67
LS Seq Number: 80000030
```

Checksum: 0xB182
Length: 28
Network Mask: 255.255.255.192 TOS: 0 Metric: 10

LS age: 47
Options: (No TOS-capability)
LS Type: Summary Links(Network)
Link State ID: 203.250.15.192 (summary Network Number)
Advertising Router: 203.250.15.67
LS Seq Number: 80000029
Checksum: 0x1F91
Length: 28
Network Mask: 255.255.255.192 TOS: 0 Metric: 20

Summary Net Link States (Area 0)

LS age: 66
Options: (No TOS-capability)
LS Type: Summary Links(Network)
Link State ID: 203.250.15.0 (summary Network Number)
Advertising Router: 203.250.15.67
LS Seq Number: 80000025
Checksum: 0x68E0
Length: 28
Network Mask: 255.255.255.192 TOS: 0 Metric: 64

RTC#sh ip ospf asbr-summary

OSPF Router with ID (203.250.15.67) (Process ID 10)

Summary ASB Link States (Area 0)

LS age: 576
Options: (No TOS-capability)
LS Type: Summary Links(AS Boundary Router)
Link State ID: 203.250.16.130 (AS Boundary Router address)
Advertising Router: 203.250.15.67
LS Seq Number: 80000024
Checksum: 0xB3D2
Length: 28
Network Mask: 0.0.0.0 TOS: 0 Metric: 64

RTC#sh ip ospf database external

OSPF Router with ID (203.250.15.67) (Process ID 10)

AS External Link States

Routing Bit Set on this LSA
LS age: 305
Options: (No TOS-capability)
LS Type: AS External Link
Link State ID: 0.0.0.0 (External Network Number)
Advertising Router: 203.250.16.130
LS Seq Number: 80000001
Checksum: 0x98CE
Length: 36
Network Mask: 0.0.0.0
 Metric Type: 2 (Larger than any link state path)
 TOS: 0
 Metric: 10
 Forward Address: 0.0.0.0
 External Route Tag: 10

Routing Bit Set on this LSA
LS age: 653
Options: (No TOS-capability)
LS Type: AS External Link
Link State ID: 203.250.16.128 (External Network Number)
Advertising Router: 203.250.16.130
LS Seq Number: 80000024
Checksum: 0x4FE6
Length: 36
Network Mask: 255.255.255.192
 Metric Type: 2 (Larger than any link state path)
 TOS: 0
 Metric: 10
 Forward Address: 0.0.0.0
 External Route Tag: 0

20.0 APPENDIX B: OSPF and IP Multicast Addressing

OSPF used IP multicast to exchange Hello packets and Link State Updates. An IP multicast address is implemented using class D addresses. A class D address ranges from 224.0.0.0 to 239.255.255.255.

Class D addressing



Some special IP multicast addresses are reserved for OSPF:

224.0.0.5: All OSPF routers should be able to transmit and listen to this address.

224.0.0.6: All DR and BDR routers should be able to transmit and listen to this address.

The mapping between IP multicast addresses and MAC addresses has the following rule:

For multiaccess networks that support multicast, the low order 23 bits of the IP address are used as the low order bits of the MAC multicast address 01-005E-00-00-00.

Example:

224.0.0.5 would be mapped to 01-00-5E-00-00-05 and

224.0.0.6 would be mapped to 01-00-5E-00-00-06.

OSPF uses broadcast on Token Ring networks.

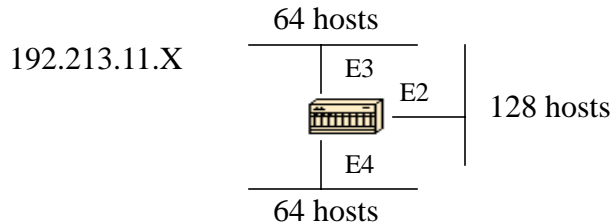
21.0 APPENDIX C: Variable Length Subnet Masks (VLSM)

TABLE 1. Binary/Decimal Conversion Chart

	0000		0001		0010		0011		0100		0101		0110		0111
0	0000	16	0000	32	0000	48	0000	64	0000	80	0000	96	0000	112	0000
1	0001	17	0001	33	0001	49	0001	65	0001	81	0001	97	0001	113	0001
2	0010	18	0010	34	0010	50	0010	66	0010	82	0010	98	0010	114	0010
3	0011	19	0011	35	0011	51	0011	67	0011	83	0011	99	0011	115	0011
4	0100	20	0100	36	0100	52	0100	68	0100	84	0100	100	0100	116	0100
5	0101	21	0101	37	0101	53	0101	69	0101	85	0101	101	0101	117	0101
6	0110	22	0110	38	0110	54	0110	70	0110	86	0110	102	0110	118	0110
7	0111	23	0111	39	0111	55	0111	71	0111	87	0111	103	0111	119	0111
8	1000	24	1000	40	1000	56	1000	72	1000	88	1000	104	1000	120	1000
9	1001	25	1001	41	1001	57	1001	73	1001	89	1001	105	1001	121	1001
10	1010	26	1010	42	1010	58	1010	74	1010	90	1010	106	1010	122	1010
11	1011	27	1011	43	1011	59	1011	75	1011	91	1011	107	1011	123	1011
12	1100	28	1100	44	1100	60	1100	76	1100	92	1100	108	1100	124	1100
13	1101	29	1101	45	1101	61	1101	77	1101	93	1101	109	1101	125	1101
14	1110	30	1110	46	1110	62	1110	78	1110	94	1110	110	1110	126	1110
15	1111	31	1111	47	1111	63	1111	79	1111	95	1111	111	1111	127	1111
	1000		1001		1010		1011		1100		1101		1110		1111
128	0000	144	0000	160	0000	176	0000	192	0000	208	0000	224	0000	240	0000
129	0001	145	0001	161	0001	177	0001	193	0001	209	0001	225	0001	241	0001
130	0010	146	0010	162	0010	178	0010	194	0010	210	0010	226	0010	242	0010
131	0011	147	0011	163	0011	179	0011	195	0011	211	0011	227	0011	243	0011
132	0100	148	0100	164	0100	180	0100	196	0100	212	0100	228	0100	244	0100
133	0101	149	0101	165	0101	181	0101	197	0101	213	0101	229	0101	245	0101
134	0110	150	0110	166	0110	182	0110	198	0110	214	0110	230	0110	246	0110
135	0111	151	0111	167	0111	183	0111	199	0111	215	0111	231	0111	247	0111
136	1000	152	1000	168	1000	184	1000	200	1000	216	1000	232	1000	248	1000
137	1001	153	1001	169	1001	185	1001	201	1001	217	1001	233	1001	249	1001
138	1010	154	1010	170	1010	186	1010	202	1010	218	1010	234	1010	250	1010
139	1011	155	1011	171	1011	187	1011	203	1011	219	1011	235	1011	251	1011
140	1100	156	1100	172	1100	188	1100	204	1100	220	1100	236	1100	252	1100
141	1101	157	1101	173	1101	189	1101	205	1101	221	1101	237	1101	253	1101
142	1110	158	1110	174	1110	190	1110	206	1110	222	1110	238	1110	254	1110
143	1111	159	1111	175	1111	191	1111	207	1111	223	1111	239	1111	255	1111

The idea behind variable length subnet masks is to offer more flexibility in dealing with dividing a major net into multiple subnets and still being able to maintain an adequate number of hosts in each subnet. Without VLSM one subnet mask only can be applied to a major network. This would restrict the number of hosts given the number of subnets required. If we pick the mask such that we have enough subnets, we wouldn't be able to allocate enough hosts in each subnet. The same is true for the hosts; a mask that allows enough hosts might not provide enough subnet space.

For example, suppose you were assigned a class C network 192.214.11.0 and you need to divide that network into three subnets with 100 hosts in one subnet and 50 hosts for each of the remaining subnets. Ignoring the two end limits 0 and 255, you have theoretically available to you 256 addresses (192.214.11.0 - 192.214.11.255). This can not be done without VLSM.



There are a handful of subnet masks that can be used; remember that a mask should have a contiguous number of ones starting from the left and the rest of the bits being all 0s.

- 252 (1111 1100) The address space is divided into 64.
- 248 (1111 1000) The address space is divided into 32.
- 240 (1111 0000) The address space is divided into 16.
- 224 (1110 0000) The address space is divided into 8.
- 192 (1100 0000) The address space is divided into 4.
- 128 (1000 0000) The address space is divided into 2.

Without VLSM we have the choice of using mask 255.255.255.128 and dividing the addresses into 2 subnets with 128 hosts each or using 255.255.255.192 and dividing the space into 4 subnets with 64 hosts each. This would not meet the requirement. By using multiple masks we can use mask 128 and further subnet the second chunk of addresses with mask 192. The following table shows how we have divided the address space accordingly.

VLSM

128 addresses (E2) (mask 255.255.255.128)	
64 addresses (E3) (mask 255.255.255.192)	64 addresses (E4) (mask 255.255.255.192)

Now, be careful in allocating the IP addresses to each mask. Once you assign an IP address to the router or to a host you have used up the whole subnet for that segment. For example, if you assign 192.214.11.10 255.255.255.128 to E2, the whole range of addresses between 192.214.11.0 and 192.214.11.127 is consumed by E2. In the same way if you assign 192.214.11.160 255.255.255.128 to E2, the whole range of addresses between 192.214.11.128 and 192.214.11.255 is consumed by the E2 segment.

The following is an illustration of how the router will interpret these addresses. Please remember that any time you are using a mask different than the natural mask, for instance you are subnetting, the router will complain if the combination IP address and mask will result in a subnet zero. To resolve this issue use the command **ip subnet-zero** on the router.

```
RTA#
```

```
ip subnet-zero
```

```
interface Ethernet2
```

```
ip address 192.214.11.10 255.255.255.128
```

```
interface Ethernet3
```

```
ip address 192.214.11.160 255.255.255.192
```

```
interface Ethernet4
```

```
ip address 192.214.11.226 255.255.255.192
```

```
RTA# sh ip route connected
```

```
192.214.11.0 is variably subnetted, 3 subnets, 2 masks
```

```
C 192.214.11.0 255.255.255.128 is directly connected, Ethernet2
```

```
C 192.214.11.128 255.255.255.192 is directly connected, Ethernet3
```

```
C 192.214.11.192 255.255.255.192 is directly connected, Ethernet4
```